



DENTAL INDUSTRIES LTD.

New Tel. For Factory and show Room 972-3-5799760, 972-3-5799759

16, HAKISHON Bney-Brak 51203 ISRAEL

Mail Address P.O.BOX: 1400 Bney-Brak 51114 Israel.

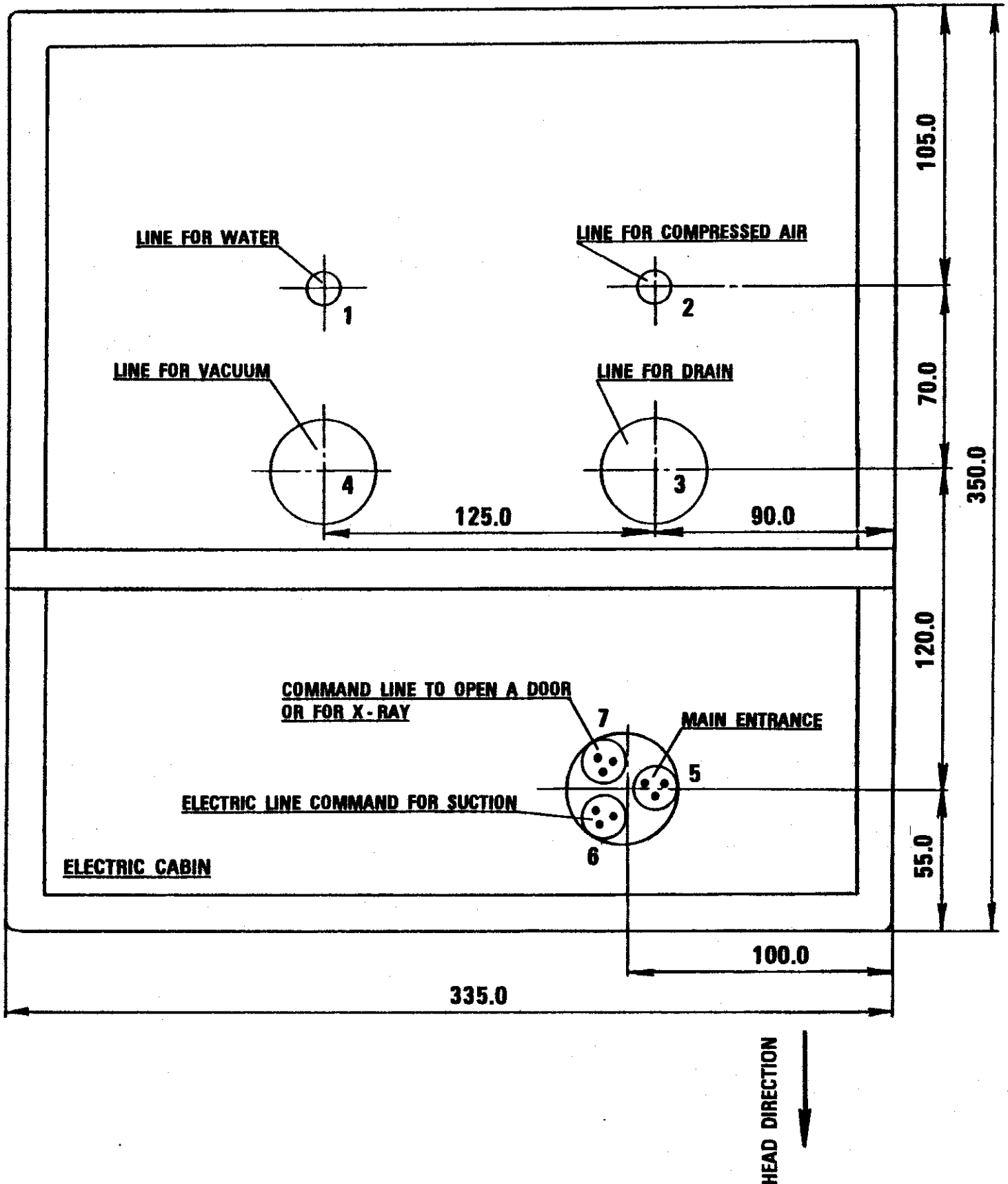
FAX. No. 972-3-5799758

OPERATION ABOUT JUNCTION BOX OUTSIDE THE CHAIR

1. LINE FOR WATER - Pipe finish with 1/2" , 20 mm. above the floor .
Connection with manual ball valve SA 1/2" .
2. LINE FOR COMPRESSED AIR - Pipe finish with 1/2" , 20 mm. above the floor .
Connection with manual ball valve SA 1/2" .
3. LINE FOR DRAIN - Pipe 36.5 mm. ID , Elbow 90 with double - start thread 1 1/2" ,
Connection with pipe 32 mm. OD or 36.5 mm. ID 20 mm.
above the floor .
4. LINE FOR VACUUM - Pipe 36.5 mm. ID , 20 mm. above the floor , from J. Box
until Separator Tank and Suction Motor .
5. MAIN ENTRANCE - 230 V , Cable 3 x 2.5 .
6. ELECTRIC LINE COMMAND FOR SUCTION - Cable 3 x 1.5 until Suction Motor .
7. COMMAND LINE TO OPEN A DOOR OR FOR X-RAY if installed on the Unit -
Cable 3 x 1.5 .

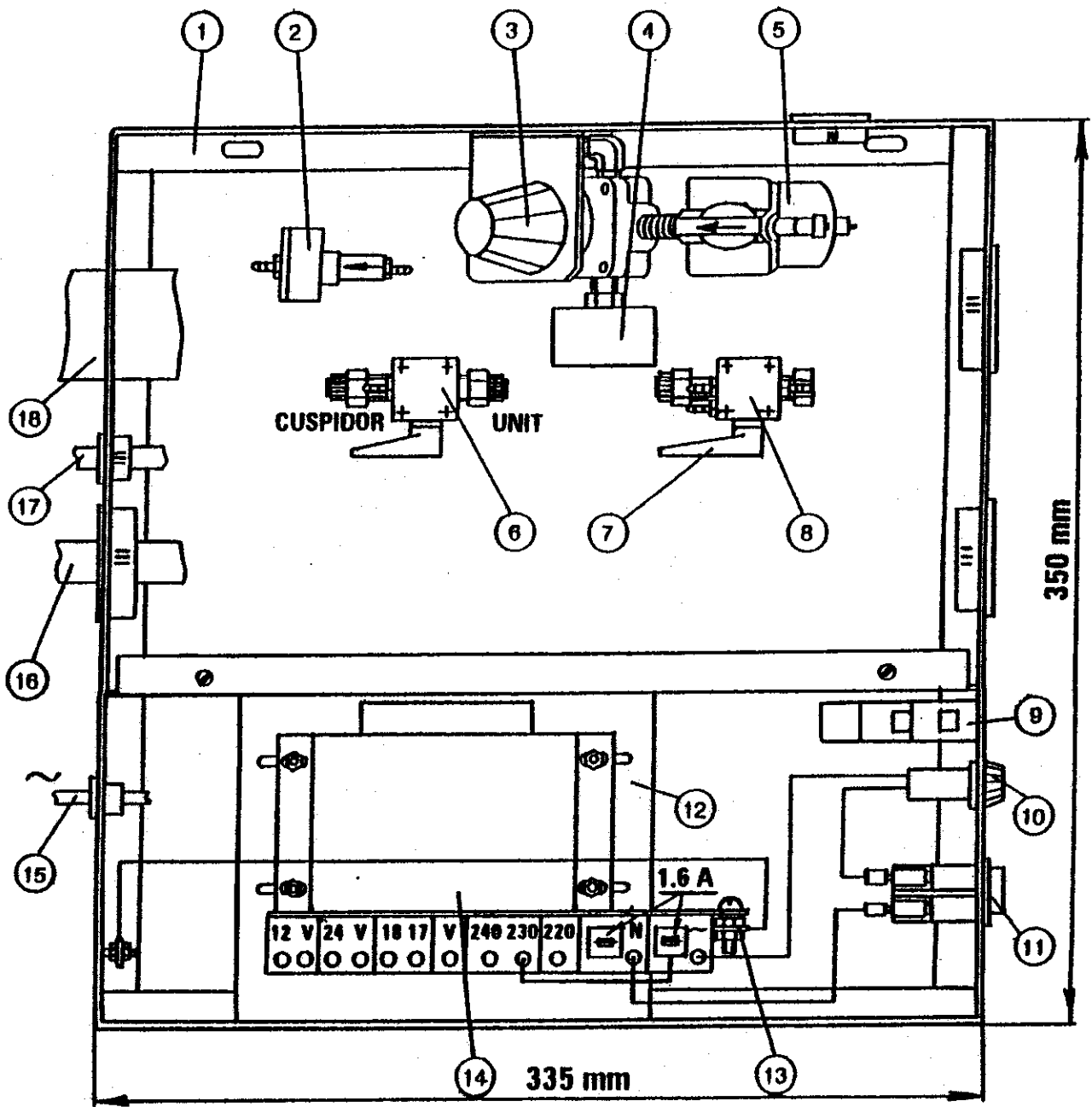


JUNCTION BOX



JB 1000 JUNCTION BOX SCHEMA

For Unit PANDA Porcelain

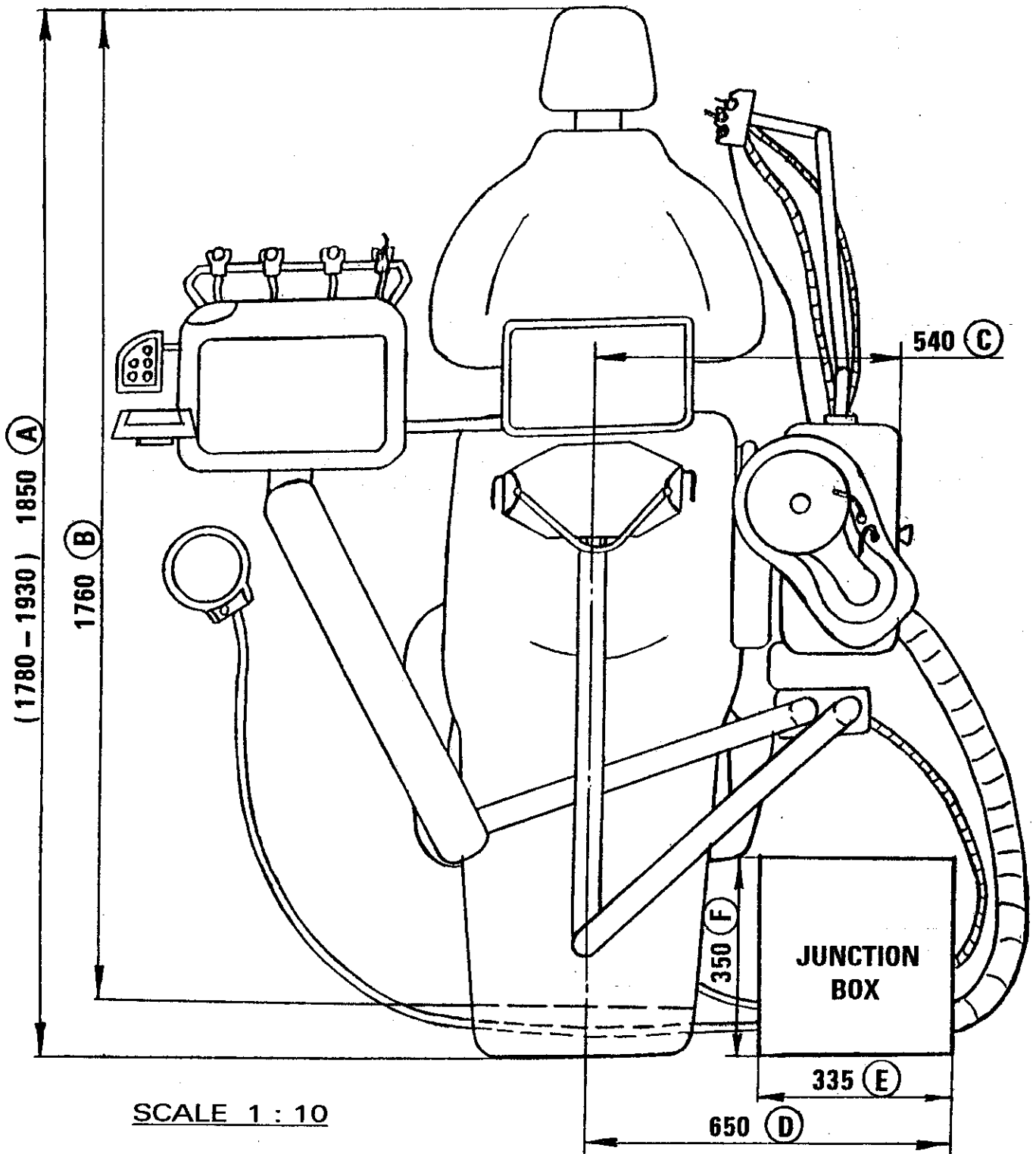


JB 1000 JUNCTION BOX SCHEMA
(Continued)

For Unit PANDA Porcelain

REF. NO.	DESCRIPTION	PART NO.	QTY.	CODE
1	Junction box	JB 0020	1	9
2	Water filter	JB 0100	1	9
3	Air regulator 0 - 125 PSI	WI R001	1	4
4	Air gauge	WI G227	1	4
5	Air filter miniature	WI F002	1	4
6	Floor water valve	JB 0200	1	4
7	Manual ball valve SA 1/2"	SA 8000	2	4
8	Floor air valve	JB 0300	1	4
9	Automatic switch for lamp 250 - 24V	KA NFS1	1	4
10	Fuse 10 A	LK F3AG	1	4
11	Rocker switch, 2P, Red Green	KA 5220 KA 5110	1	4
12	Base plate for transformer	JB 0040	1	9
13	Ground screw and nut		2	9
14	Transformer with fuse, casting housing 220,230,240/17,18,24,12V - 240VA	HT 2110	1	4
15	Entrance for main		1	
16	Outlet for UNIT		1	
17	Outlet for foot control		1	
18	Outlet for cuspidor		1	

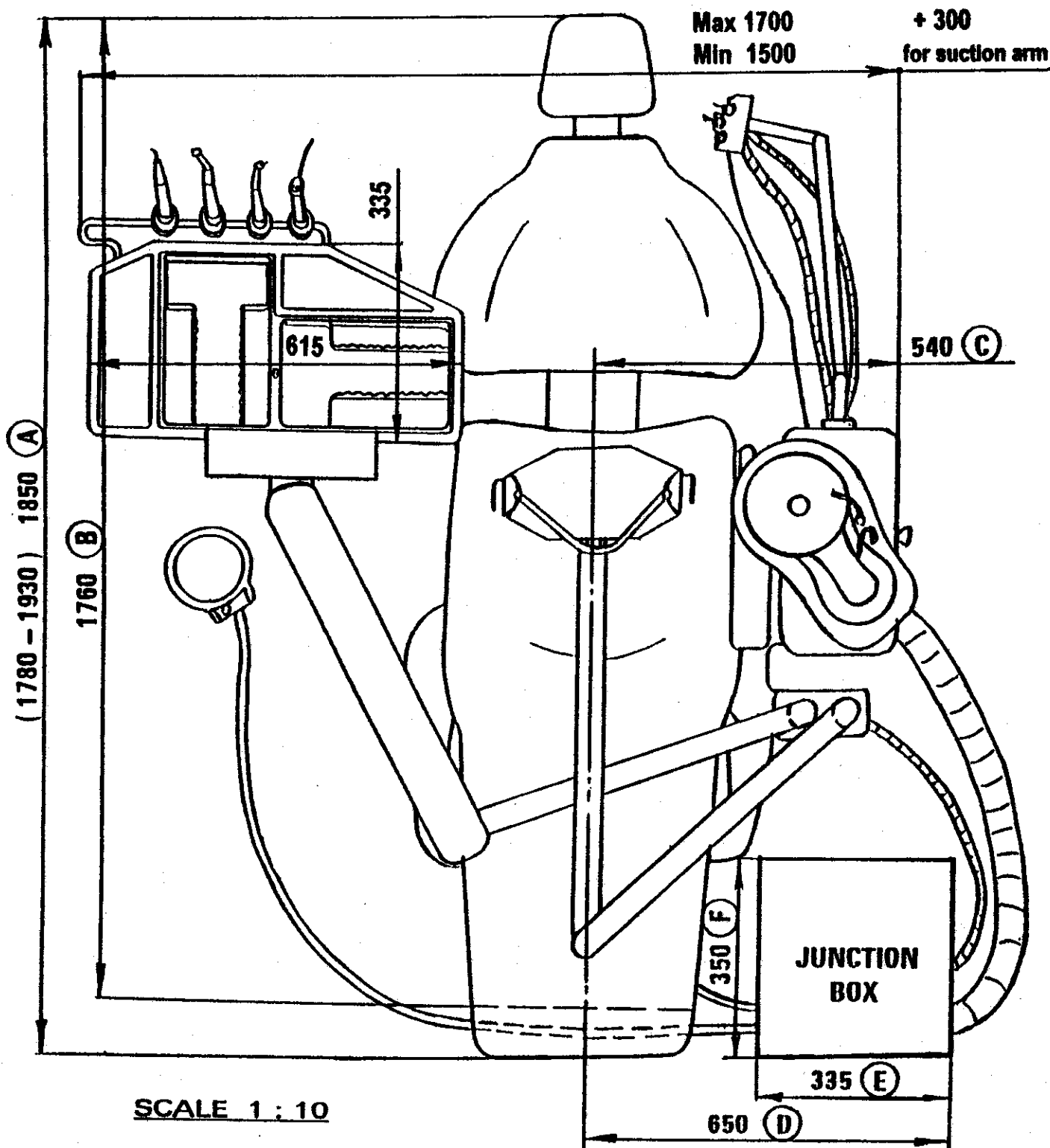
**UNIT PANDA PORCELAIN WITH REMOVABLE CUSPIDOR ANTI RUST
AND CHAIR TECNODENT ECO**



SCALE 1 : 10

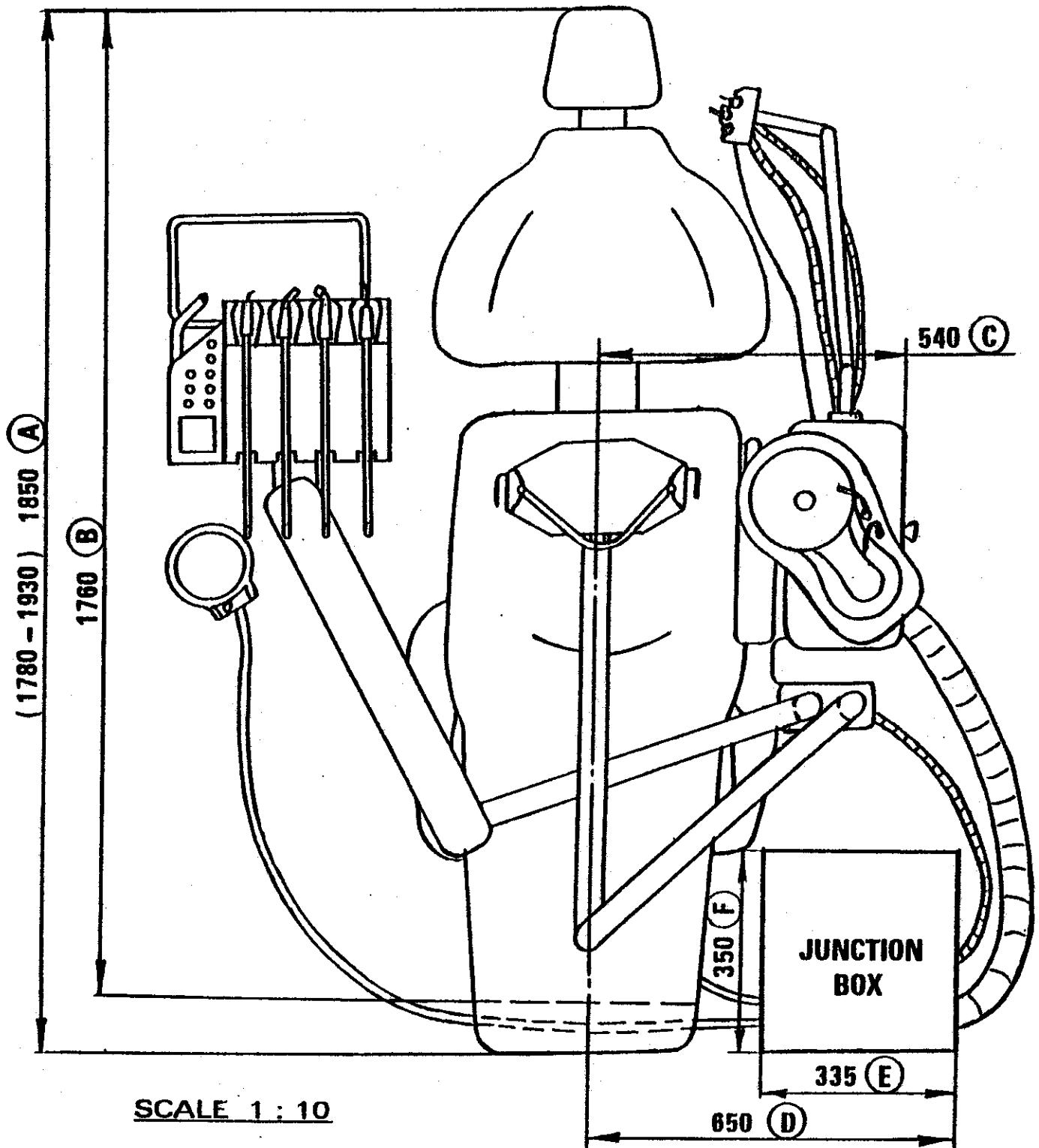
- A : TOTAL LENGTH.**
- B : TOTAL LENGTH FROM HEAD UNTIL THE COVER JUNCTION BOX.**
- C : TOTAL LENGTH FROM THE EXTERNAL BORDER OF CUSPIDOR UNTIL THE MIDDLE OF THE CHAIR.**
- D : TOTAL LENGTH FROM RIGHT SIDE OF J. BOX UNTIL THE MIDDLE OF THE CHAIR.**
- E : TOTAL LENGTH OF JUNCTION BOX.**
- F : TOTAL WIDTH OF JUNCTION BOX.**

**UNIT GALAXY PORCELAIN WITH REMOVABLE CUSPIDOR ANTI RUST
AND CHAIR TECNODENT ECO**



- A: TOTAL LENGTH.**
- B: TOTAL LENGTH FROM HEAD UNTIL THE COVER JUNCTION BOX.**
- C: TOTAL LENGTH FROM THE EXTERNAL BORDER OF CUSPIDOR UNTIL THE MIDDLE OF THE CHAIR.**
- D: TOTAL LENGTH FROM RIGHT SIDE OF J. BOX UNTIL THE MIDDLE OF THE CHAIR.**
- E: TOTAL LENGTH OF JUNCTION BOX.**
- F: TOTAL WIDTH OF JUNCTION BOX.**

**UNIT SUPERTEK WITH REMOVABLE CUSPIDOR ANTI RUST
AND CHAIR TECNODENT ECO**



SCALE 1 : 10

- A : TOTAL LENGTH.**
- B : TOTAL LENGTH FROM HEAD UNTIL THE COVER JUNCTION BOX.**
- C : TOTAL LENGTH FROM THE EXTERNAL BORDER OF CUSPIDOR UNTIL THE MIDDLE OF THE CHAIR.**
- D : TOTAL LENGTH FROM RIGHT SIDE OF J. BOX UNTIL THE MIDDLE OF THE CHAIR.**
- E : TOTAL LENGTH OF JUNCTION BOX.**
- F : TOTAL WIDTH OF JUNCTION BOX.**

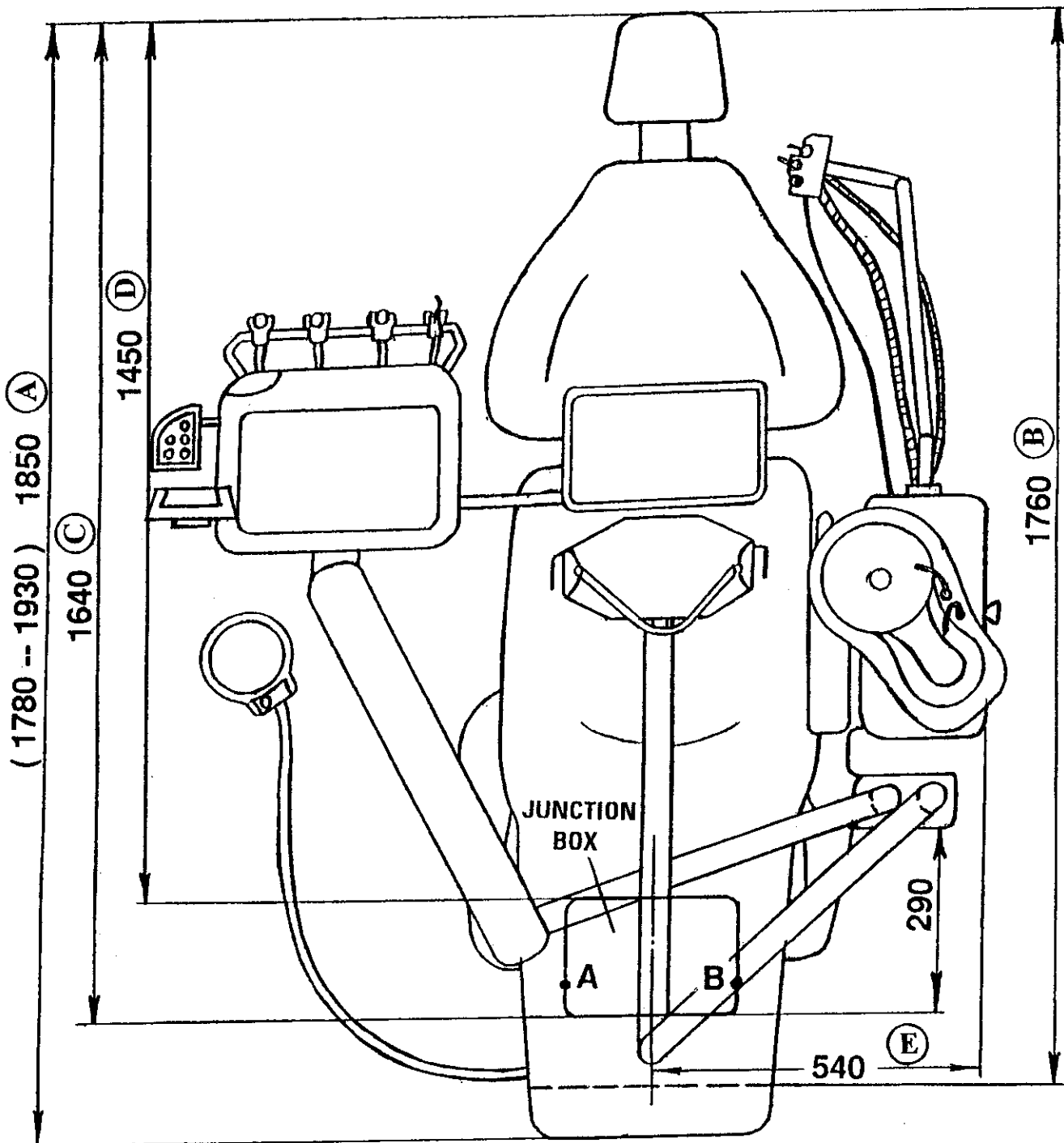
**OPERATION ABOUT JUNCTION BOX
INSIDE THE CHAIR TECNODENT ECO**

1. **LINE FOR COMPRESSED AIR** - Pipe finish with 1/2" , 20 mm. above the floor.
Connection with manual ball valve SA 1/2" .
2. **LINE FOR WATER** - Pipe finish with 1/2" , 20 mm. above the floor .
Connection with manual ball valve SA 1/2" .
3. **LINE FOR DRAIN** - Pipe 36.5 mm. ID , Elbow 90 with double - start thread 1 1/2" ,
Connection with pipe 32 mm. OD or 36.5 mm. ID 20 mm.
above the floor .
4. **LINE FOR VACUUM** - Pipe 36.5 mm. ID , 20 mm. above the floor , from J. Box
until Separator Tank and Suction Motor .
5. **ELECTRIC LINE COMMAND FOR SUCTION** - Cable 3 x 1.5 until Suction Motor .
6. **MAIN ENTRANCE** - 230 V , Cable 3 x 2.5 .
7. **COMMAND LINE TO OPEN A DOOR OR FOR X-RAY** if installed on the Unit -
Cable 3 x 1.5 .



**UNIT PANDA PORCELAIN WITH REMOVABLE CUSPIDOR ANTI RUST
AND CHAIR TECNODENT ECO**

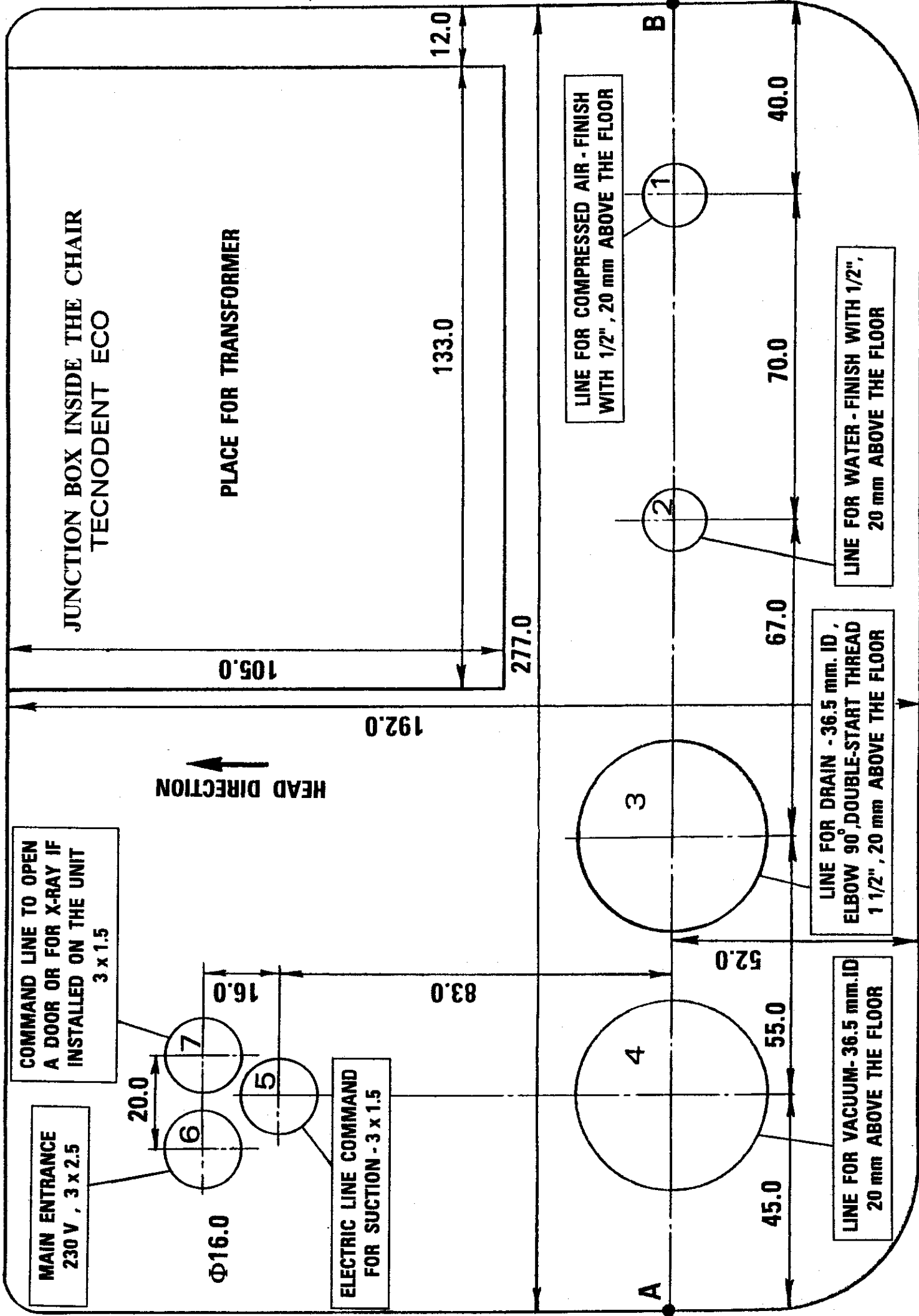
(JUNCTION BOX INSIDE THE CHAIR)



SCALE 1 : 10

- A : TOTAL LENGTH.**
- B : TOTAL LENGTH FROM HEAD UNTIL THE COVER JUNCTION BOX.**
- C : TOTAL LENGTH FROM THE HEAD UNTIL END OF JUNCTION BOX.**
- D : TOTAL LENGTH FROM THE HEAD UNTIL THE BEGINNING OF J. BOX.**
- E : TOTAL LENGTH FROM THE EXTERNAL BORDER OF CUSPIDOR UNTIL THE MIDDLE OF THE CHAIR.**

THE MOST IMPORTANT IS TO PUT THE INSTALLATION TUBING.



JUNCTION BOX INSIDE THE CHAIR
TECNODENT ECO

PLACE FOR TRANSFORMER

COMMAND LINE TO OPEN
A DOOR OR FOR X-RAY IF
INSTALLED ON THE UNIT
3 x 1.5

MAIN ENTRANCE
230 V , 3 x 2.5

20.0

16.0

Φ16.0

ELECTRIC LINE COMMAND
FOR SUCTION - 3 x 1.5

83.0

192.0

HEAD DIRECTION

105.0

133.0

12.0

277.0

LINE FOR COMPRESSED AIR - FINISH
WITH 1/2" , 20 mm ABOVE THE FLOOR

1

40.0

2

70.0

LINE FOR WATER - FINISH WITH 1/2" ,
20 mm ABOVE THE FLOOR

67.0

3

LINE FOR DRAIN - 36.5 mm. ID ,
ELBOW 90° , DOUBLE-START THREAD
1 1/2" , 20 mm ABOVE THE FLOOR

52.0

4

LINE FOR VACUUM - 36.5 mm. ID
20 mm ABOVE THE FLOOR

55.0

45.0

A

B