

# **ETI** **DENTAL INDUSTRIES LTD.**

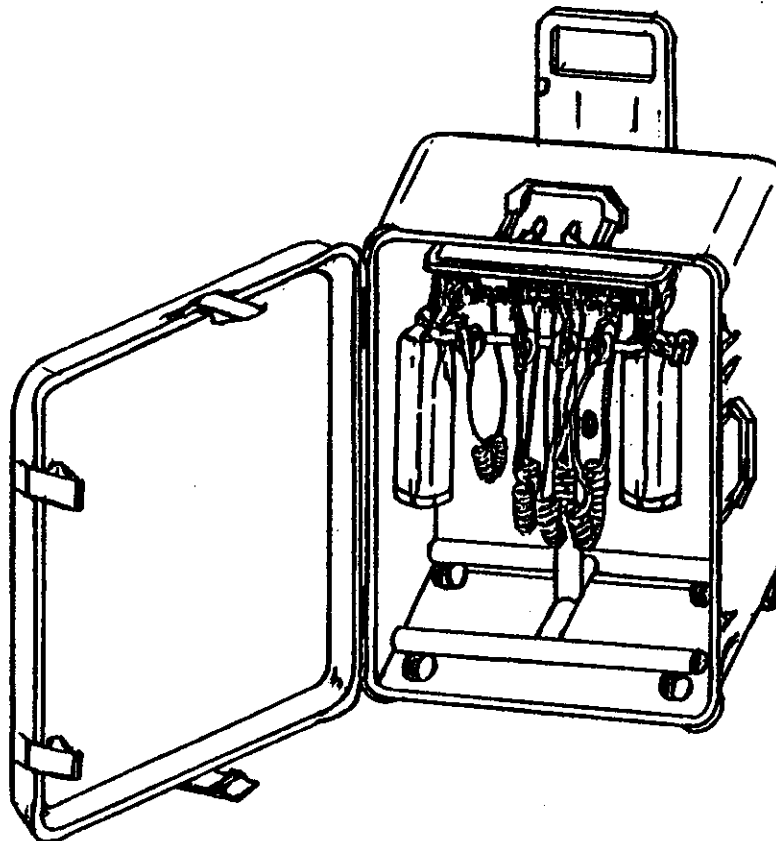
New Tel. For Factory and show Room 972-3-5799760, 972-3-5799759  
16, HAKISHON Bney-Brak 51203 ISRAEL  
Mail Address P.O.BOX: 1400 Bney-Brak 51114 Israel.  
**FAX. No. 972-3-5799758**

## **HOME MOBILE DENTAL UNIT 6010**

### **THREE MODULES + SYRINGE**

**Include :**

1. High speed tubing
2. Low speed tubing
3. Air scaler
4. Air suction
5. Water clean bottle
6. High quality plastic box on 2 wheels



Height : 620 mm  
Width : 500 mm  
Depth : 360 mm  
Weight : 25 kg

**Options:**

Compressor mobile (Italy) ¾ HP oil less  
Turbine push button  
Motor + straight HP (U.S.A.)  
Contra angle (France)  
Fiber optic for turbine  
Air scaler



# ETI

## DENTAL INDUSTRIES LTD.

New Tel. For Factory and show Room 972-3-5799760, 972-3-5799759

16, HAKISHON Bney-Brak 51203 ISRAEL

Mail Address P.O.BOX: 1400 Bney-Brak 51114 Israel.

FAX. No. 972-3-5799758

### ETI Mobile Dental X-Ray Trophy Head 70KV ETX

#### CHARACTERISTICS 708

Penetration: 70 KVp

Output: 8 mA

Radiogene tube: grid type

Focus: 0,7 CEI

Positioning cone: cylindrical 20  
or 30 cm

Power supply: 220 V

Consumption: 7 A

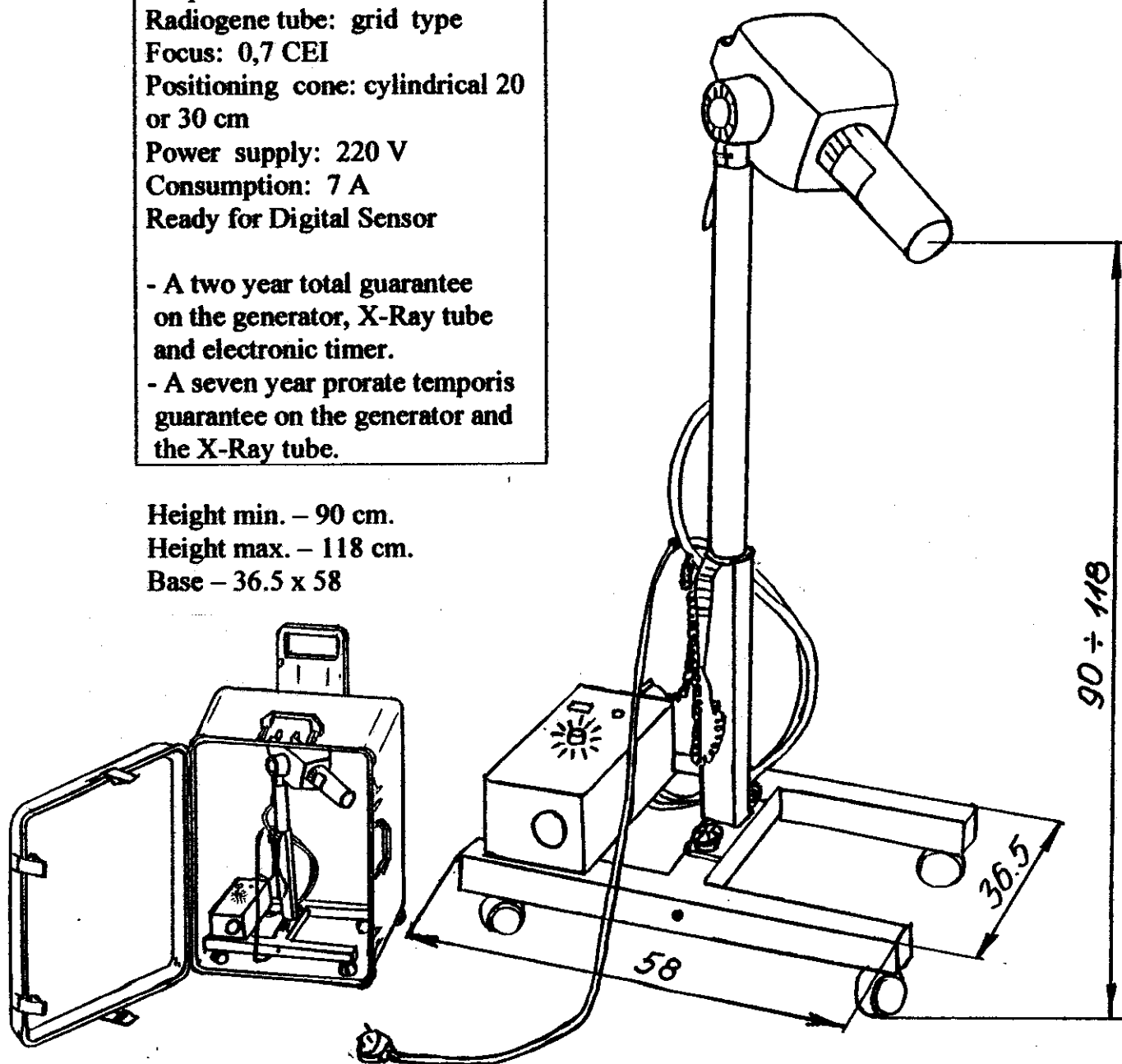
Ready for Digital Sensor

- A two year total guarantee on the generator, X-Ray tube and electronic timer.
- A seven year prorata temporis guarantee on the generator and the X-Ray tube.

Height min. – 90 cm.

Height max. – 118 cm.

Base – 36.5 x 58



Web Site: [www.eti-dental.com](http://www.eti-dental.com) E-MAIL: [etidnt@eti-dental.com](mailto:etidnt@eti-dental.com)