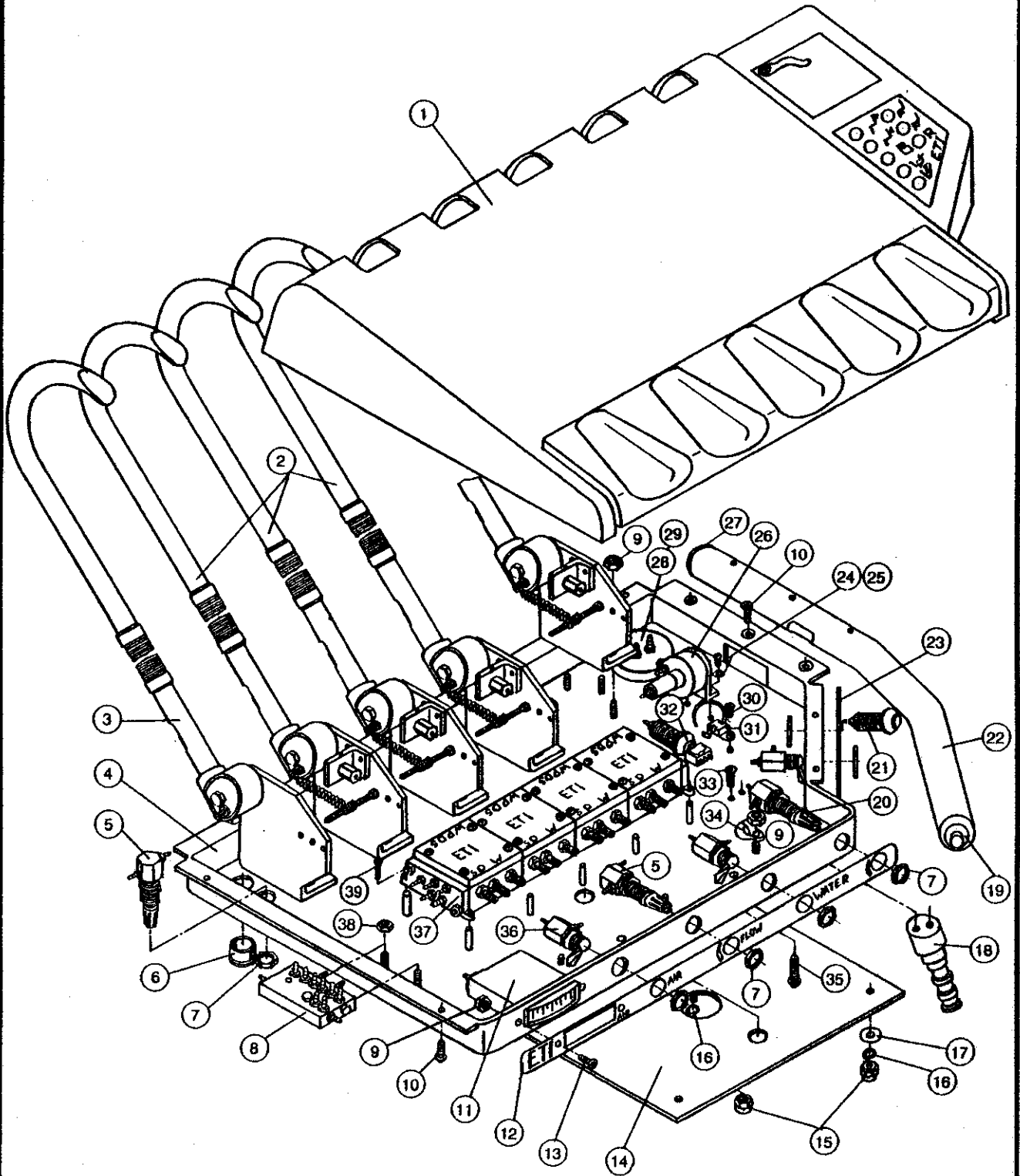


UNIT SUPERTEK
ET 4202 2 MODULES
ET 4203 3 MODULES
ET 4204 4 MODULES



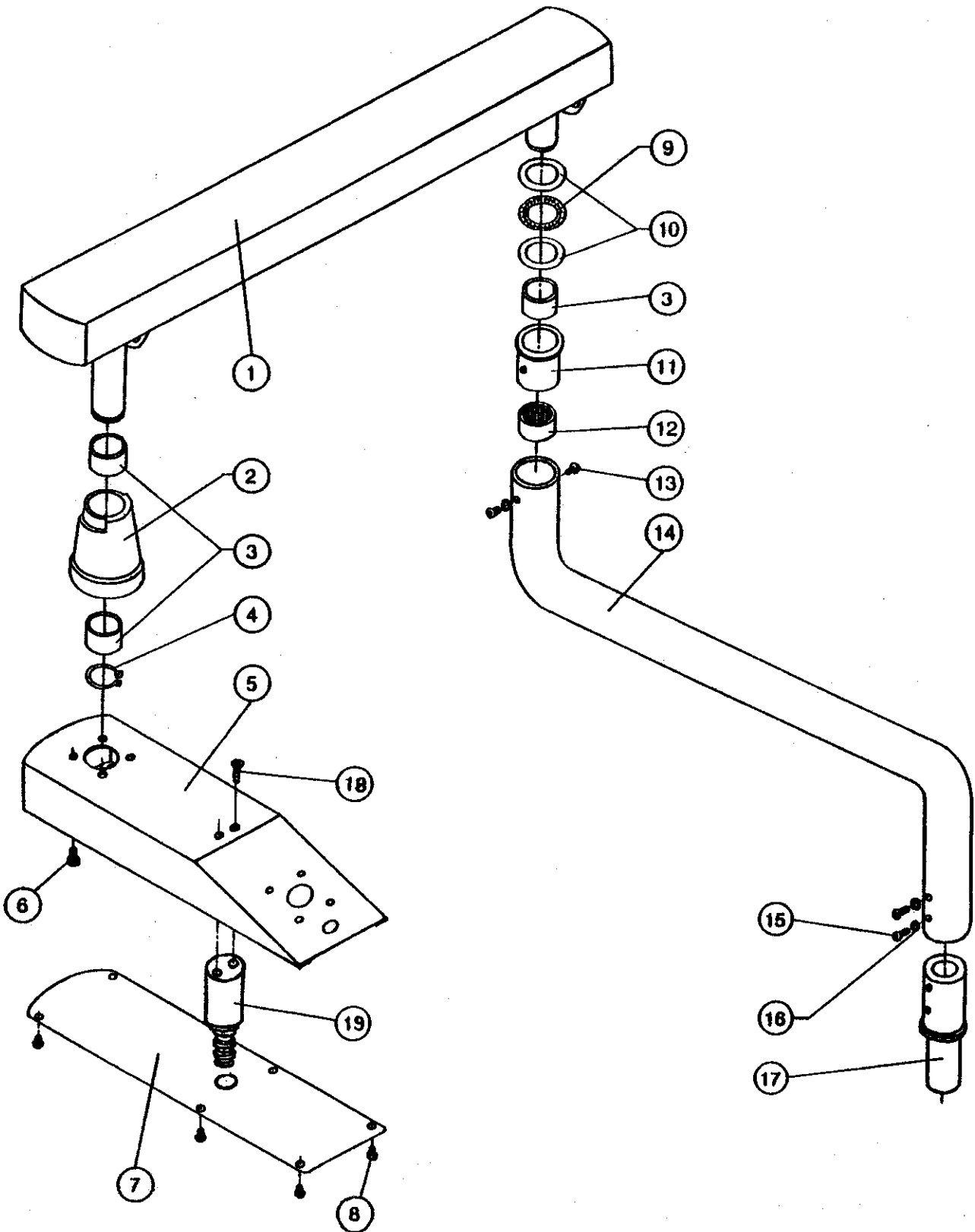
UNIT SUPERTEK
ET 4202 2 MODULES
ET 4203 3 MODULES
ET 4204 4 MODULES
(Continued)

REF. NO.	DESCRIPTION	PART NO.	QTY.	CODE
1	Cover Supertek , large , 4 H.P. normal , 3 H.P. small , 2 H.P.	UN 4160 UN 4140 UN 4120	1	4
2	Supertek whip assembly	UN 4202	4	9
3	Supertek whip assembly for syringe	UN 4402	1	9
4	Base plate , 4 H.P. 3 H.P. 2 H.P.	UN 4060 UN 4040 UN 4020	1	9
5	Needle valve	UN 0200	2	4
6	Bushing snap	HE 2070	5	2
7	Nut 1/2 UNEF	CU 0700	7	4
8	Connector assembly	UN 0180	1	9
9	Nut 6 - 32 , SST	70207	21	4
10	Screw 6 - 32 x 1/4 , SST	57310	10	4
11	Rectangular pressure gauge , 60 PSI	DC 7270	1	4
12	Facepanel	UN 4080	1	9
13	Screw 6 - 32 x 3/8 , SST	57312	2	4
14	Lower plate	UN 4580	1	9
15	Cap nut	CU 2626	8	4
16	Spring lockwasher 1/4"	98220	8	4
17	Washer 1/4 x 16 x 11	06001	4	4
18	Pin	UN 4180	1	9
19	Push button valve , position actuator	UN 4420	1	4
20	Needle valve	UN 0260	1	4
21	Air indicator light	UN 0300	1	4
22	Handle	UN 4600	1	9
23	Right panel	UN 4100	1	9
24	Screw 4 - 40 x 1/4	56200	2	4
25	Plastic washer # 10	DC 0072	2	4
26	Water relay	UN 0740	1	3
27	Plug for handle	UN 4620	1	9
28	Exhaust system	UN 0100	1	9
29	Screw 6 - 32 x 5/8	19047	2	4
30	Screw 4 - 40 x 3/16	19021	1	4
31	Mounting platforme	PAN 03	1	4
32	Air activated electric switch	UN 0860	1	4
33	Screw 10 - 32 x 1/2 , SST	57333	2	4
34	Nylon cable clamp , white , 12.7 mm	HE 3308	9	9
35	Screw 6 - 32 x 1/2	56212	2	4
36	Togle valve 3 - way , Black Gray	DC 7015 DC 7016	3	4
37	Control block assembly , 4 H.P. 3 H.P. 2 H.P.	UN 0411 UN 0401 UN 0431	1	9
38	Nut M4 , SST	510802	2	4
39	Screw 4 - 40 x 3/8	19024	4	4

AR 1800 SUPERTEK ARM SYSTEM

16

16



AR 1800 SUPERTEK ARM SYSTEM
(Continued)

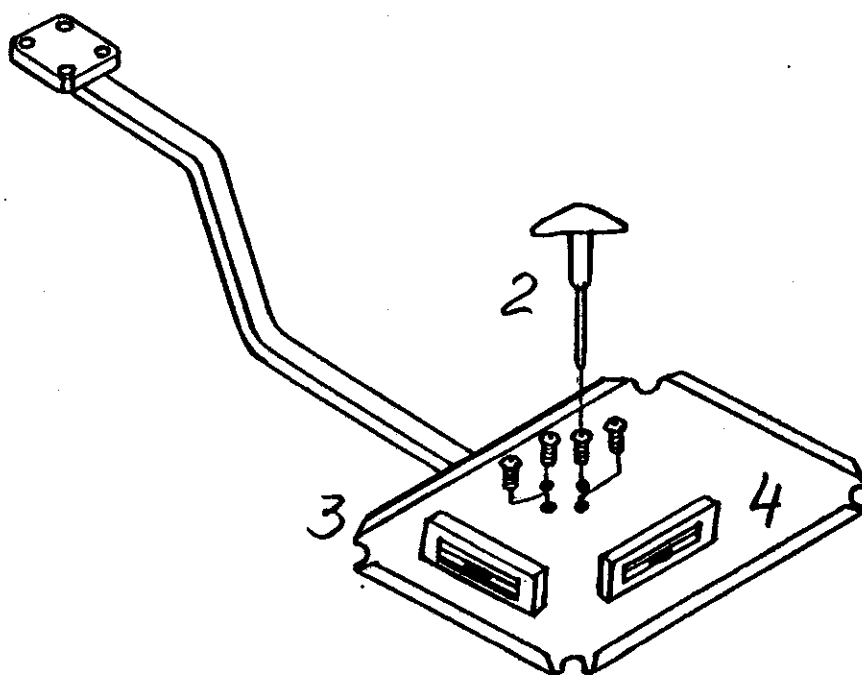
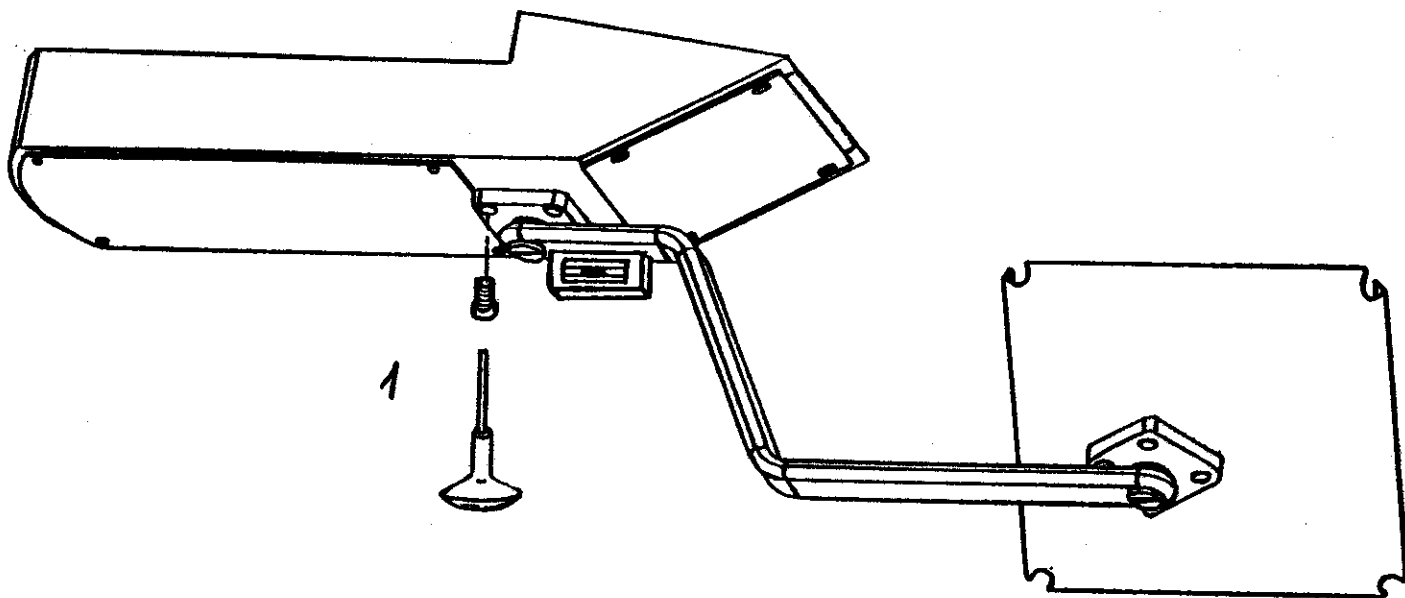
16

16

REF. NO.	DESCRIPTION	PART NO.	QTY.	CODE
1	Pneumatic arm	AR 1001	1	9
2	Arm support	AR 1420	1	9
3	Sleeve bearing 1.2535x1.3775x.735	B 63257	3	4
4	Retaining ring 1.156 ID	WT 1001	1	4
5	Arm for tray SUPERTEK	AR 1580	1	9
6	Screw 1/4 - 20 x 5/8	56052	4	4
7	Arm cover	AR 1590	1	9
8	Screw 6 - 32 x 1/4	57310	6	4
9	Thrust needle bearing	IN TC20	1	4
10	Washer , thrust , bearing	IN TWC2	2	4
11	Bushing for rigid arm	AR 1540	1	9
12	Needle roller bearing	IN SCE2	1	4
13	Screw 10 - 24 x 1/4	S 05006	2	4
14	Rigid arm	AR 1600	1	9
15	Screw 10 - 24 x 3/8	S 05009	2	4
16	Washer M 5 x 9	519301	4	4
17	Connection pin	AR 1560	1	9
18	Screw 10 - 32 x 1/2 , SST	57333	2	4
19	Pivot for tray holder	UN 4190	1	9

INSTRUCTION

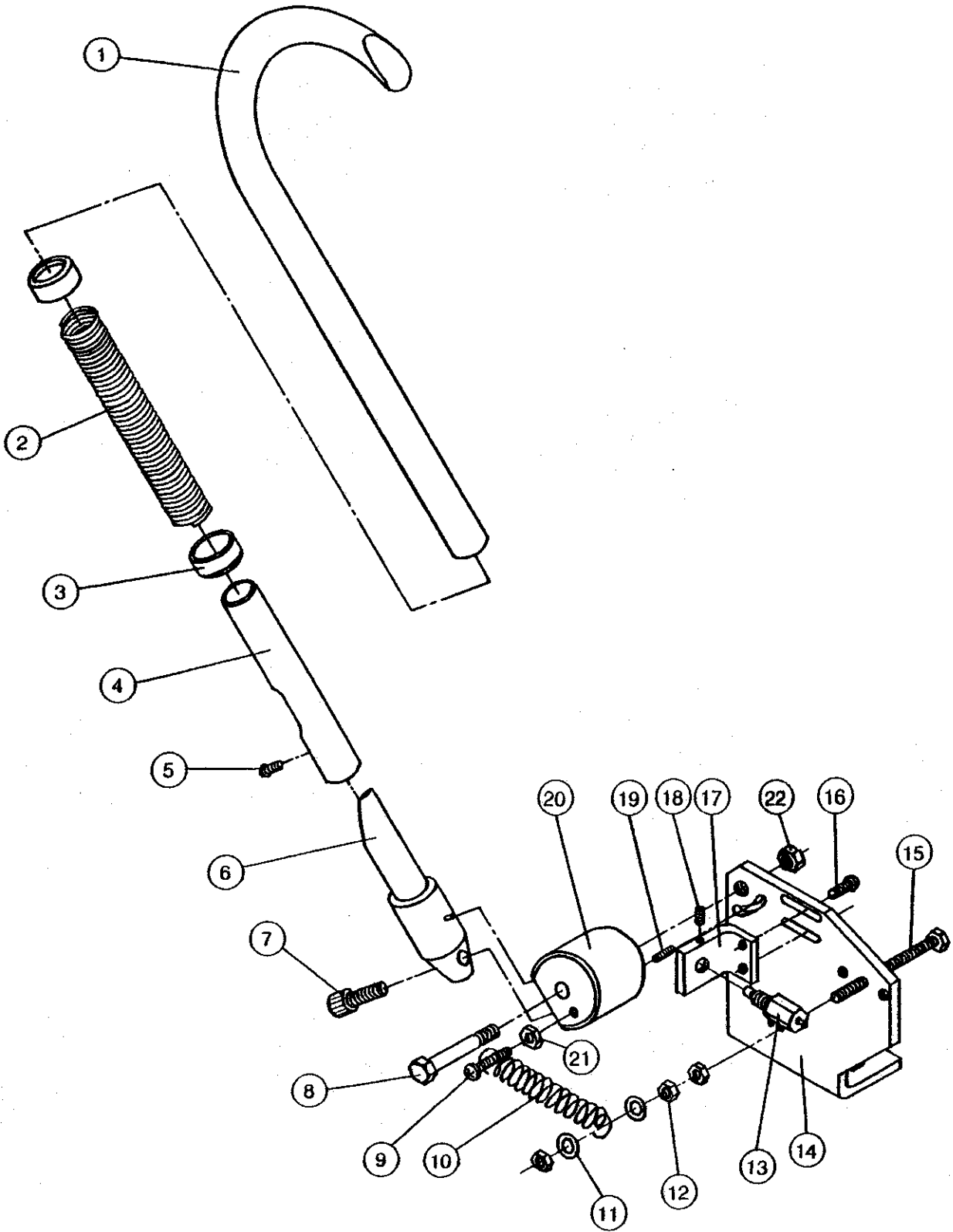
How to make Balance of Tray



UN 4202 SUPERTEK WHIP ASSEMBLY

19

19

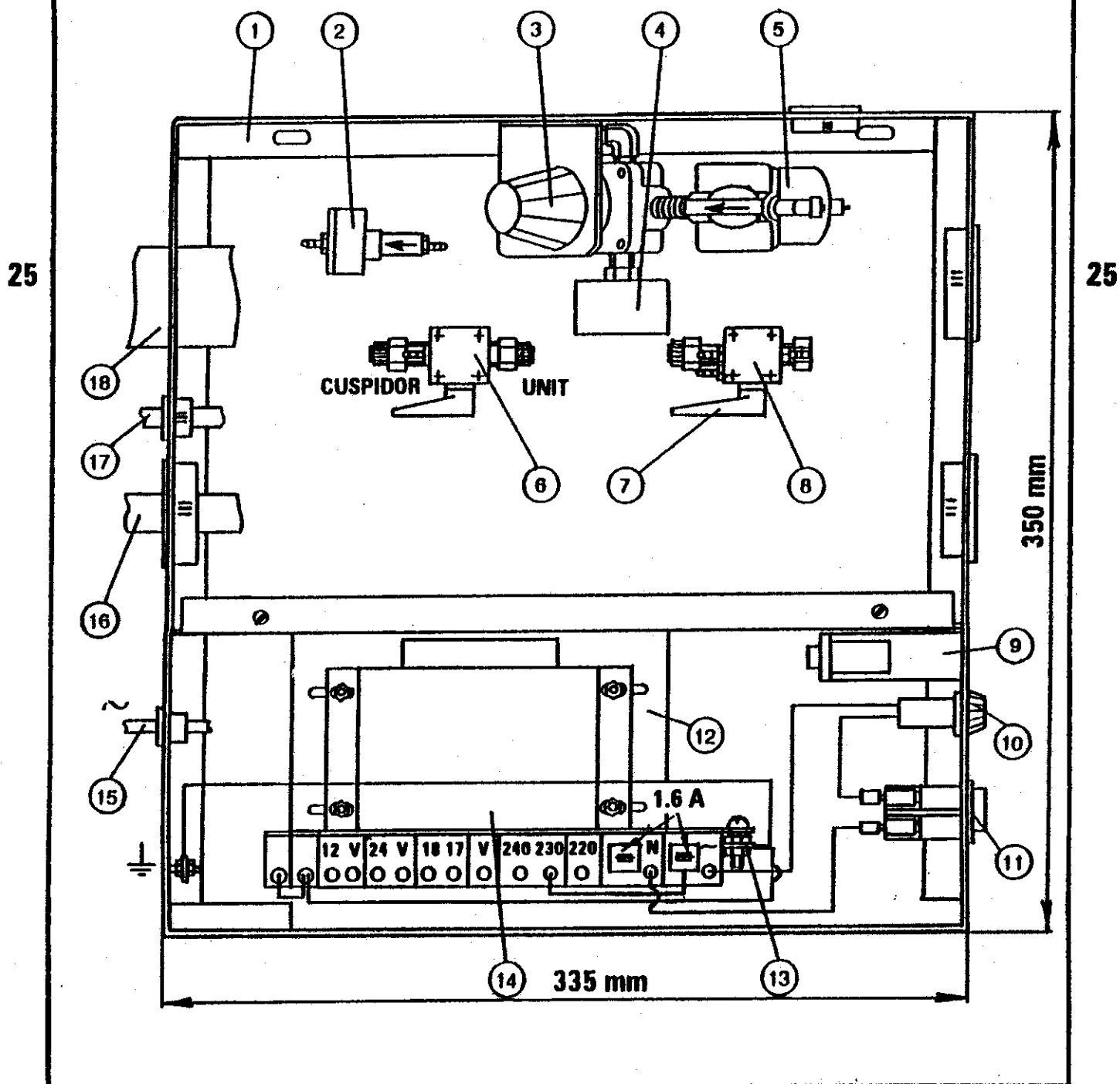


UN 4202 SUPERTEK WHIP ASSEMBLY**(Continued)**

REF. NO.	DESCRIPTION	PART NO.	QTY.	CODE
1	Whip tubular , long	UN 4222	1	9
2	Spring for whip	UN 4242	1	9
3	Plastic sleeve	UN 4262	1	9
4	Whip tubular , short	UN 4282	1	9
5	Screw 6 - 32 x 1/4 , SST	57310	1	4
6	Plastic pin	UN 4302	1	9
7	Screw 1/4 - 20 x 3/4 , SST	57043	1	4
8	Screw spec.	UN 4322	1	9
9	Screw 6 - 32 x 5/8 , SST	23047	1	4
10	Spring	UN 4342	1	4
11	Washer # 10 S , SST	96308	2	4
12	Nut M4 , SST	510802	3	4
13	Clippard UCSMAV3	AE 001	1	4
14	Baseplate	UN 4362	1	9
15	Screw M4 x 50	012101	1	4
16	Screw 6 - 32 x 3/8 , SST	57312	2	4
17	Clippard handler	UN 4382	1	9
18	Screw 6 - 32 x 1/4 , SST	59022	1	4
19	Screw 6 - 32 x 1/2 , SST	163213	1	4
20	Wheel	UN 4402	1	9
21	Nut 6 - 32 , SST	70207	1	4
22	Nut 1/4 - 20 , SST	70217	1	4

JB 4000 JUNCTION BOX SCHEMA

For Unit SUPERTEK

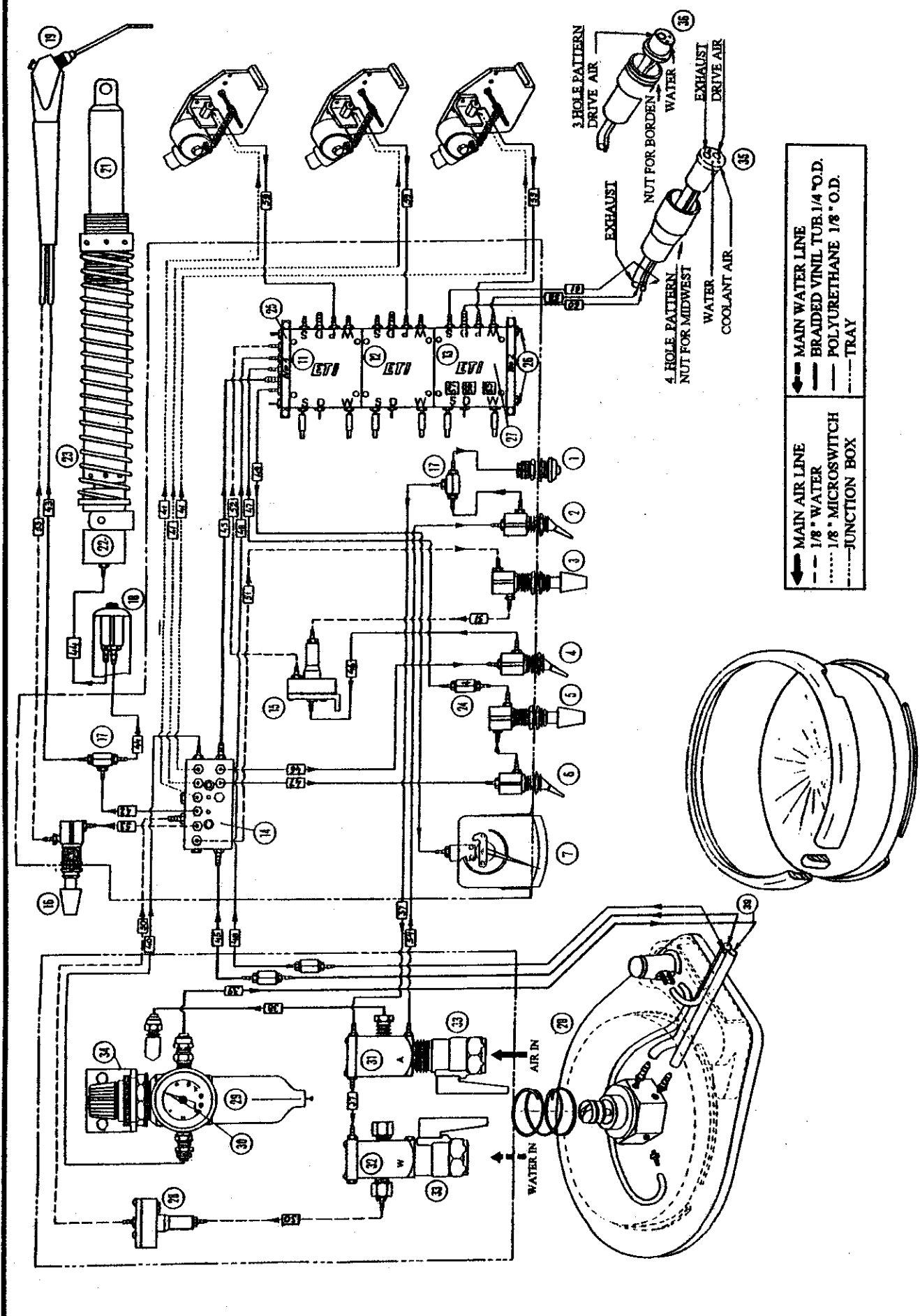


JB 4000 JUNCTION BOX SCHEMA
(Continued)

For Unit SUPERTEK

REF. NO.	DESCRIPTION	PART NO.	QTY.	CODE
1	Junction box	JB 0020	1	9
2	Water filter	JB 0100	1	9
3	Air regulator 0 - 125 PSI	WI R001	1	4
4	Air gauge	WI G227	1	4
5	Air filter miniature	WI F002	1	4
6	Floor water valve	JB 0200	1	4
7	Manual ball valve SA 1/2"	SA 8000	2	4
8	Floor air valve	JB 0300	1	4
9	Timer , 10 min., 24 V	KA S10M	1	4
10	Fuse 10 A	LK F3AG	1	4
11	Rocker switch, 2P, Red Green	KA 5220 KA 5110	1	4
12	Base plate for transformer	JB 0040	1	9
13	Ground screw and nut		2	9
14	Transformer with fuse, casting housing 220,230,240/17,18,24,12V - 240VA	HT 2110	1	4
15	Entrance for main		1	
16	Outlet for UNIT		1	
17	Outlet for foot control		1	
18	Outlet for cuspidor		1	

ET 012S UNIT SUPERTEK 3 HP. SCHEMA



27

27

ET 012S UNIT SUPERTEK 3 HP. SCHEMA

(Continued)

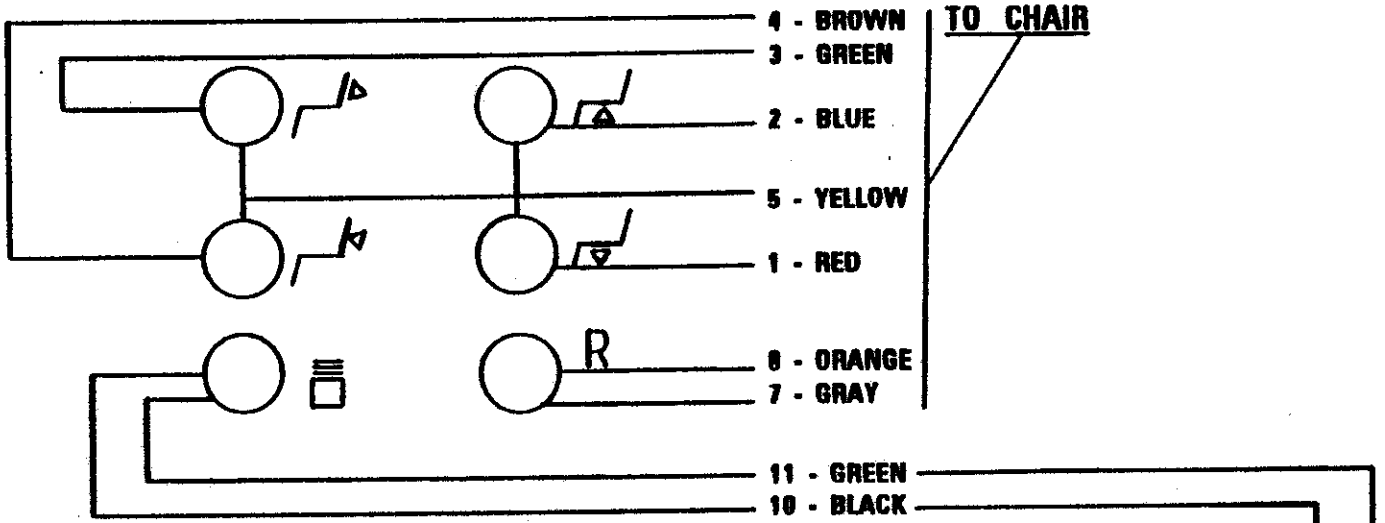
REF. NO.	DESCRIPTION	PART NO.	REF. NO.	DESCRIPTION
1	Air indicator light	UN 0300	37	Air return from toggle - master
2	Toggle valve , gray , master on - off	DC 7016	38	Air to regulator
3	Needle valve , water adjustment	UN 0200	39	Air to foot control
4	Toggle valve , gray , air on - off for water relay	DC 7016	40	Air to connector assembly
5	Needle valve , air flow adjustment	UN 0200	41	Air to supertek whip assembly
6	Toggle valve , gray , air on - off spray	DC 7016	42	Air to tee
7	Rectangular pressure gauge , 60 PSI	DC 7270	43	Air to syringe
8	Supertek whip assembly No 1	UN 4202	44	Air to on - off piston
9	Supertek whip assembly No 2	UN 4202	45	Air to control block from foot control
10	Supertek whip assembly No 3	UN 4202	46	Air to water relay command
11	Control block No 1	UN 0611	47	Air spray
12	Control block No 2	UN 0621	48	Air spray to block from chip blower
13	Control block No 3	UN 0631	49	Air to rectangular pressure gauge
14	Connector assembly	UN 0180	50	Water to water filter
15	Water relay	UN 0740	51	Water water relay
16	Needle valve , water adjustment for syringe	UN 0200	52	Water to block from water relay
17	Tee 1/8 " O.D. tubing	UN 0920	53	Water to syringe
18	Push button momentary valve on - off valve , 3-way w/exhaust , gray	DC 7037	54	Air to toggle - master
19	Syringe	DC	55	Water adjustment
20	Foot control with chip blower	FC 2000	56	Drive pressure adjustment
21	Gas piston	RA 0516	57	Air spray adjustment
22	Piston - spring activator	AR 1381	58	Water to turbine
23	Piston spring	AR 1301	59	Air command to pick - up
24	Check valve 1/8 " O.D. tubing	UN 0940	60	Drive to turbine
25	End cap No 1	UN 0481	61	Air spray to turbine
26	Stud - bolt M4 , SST	UN 0501		
27	Pic - up	UN 0441		
28	Water filter	JB 0100		
29	Air filter miniature for regulator	WI F002		
30	Air gauge	WI G227		
31	Floor air valve	JB 0300		
32	Floor water valve	JB 0200		
33	Manual ball valve SA 1/2 "	SA 8000		
34	Air regulator 0 - 125 PSI	WI R001		
35	Adapter m/w , PUR	COA 12		
36	Adapter - borden	COA 36		

27

27

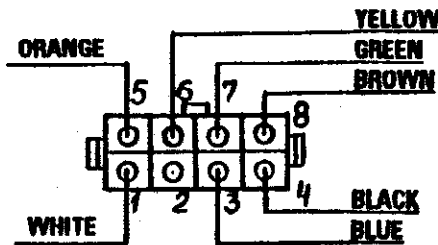
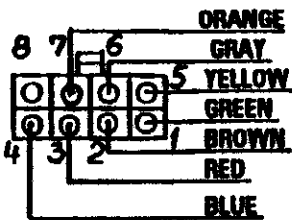
SUPERTEK SCHEMA - HOW TO CONNRCT CHAIR "ECO" - 3P TO HAND CONTROL

ETI COLOR WIRE



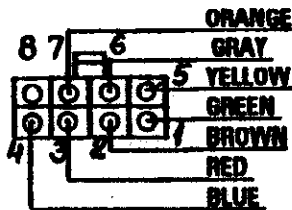
*CONNECTORS FROM TOUCH CONTROL TO UNIT SUPERTEK
 TO CHAIR: TO: CUSPIDOR - 3, 6, 8. TIMER - 4, 7. VIEWER - 1, 5.

BLACK 24V

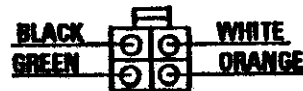


*CONNECTORS FROM UNIT SUPERTEK TO JUNCTION BOX

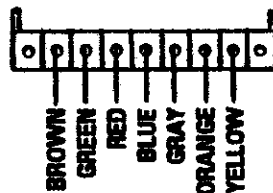
TO CHAIR:



TO: TIMER - 2, 4. VIEWER - 1, 3.



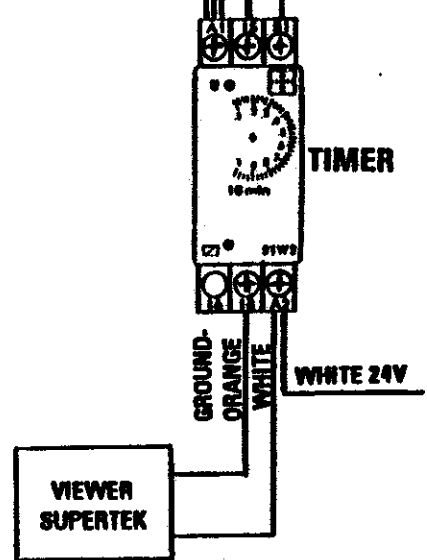
*CONNECTION TO CHAIR
 TECNODENT "ECO" - 3P



TO CUSPIDOR
 - BROWN
 - BLUE
 - BLACK

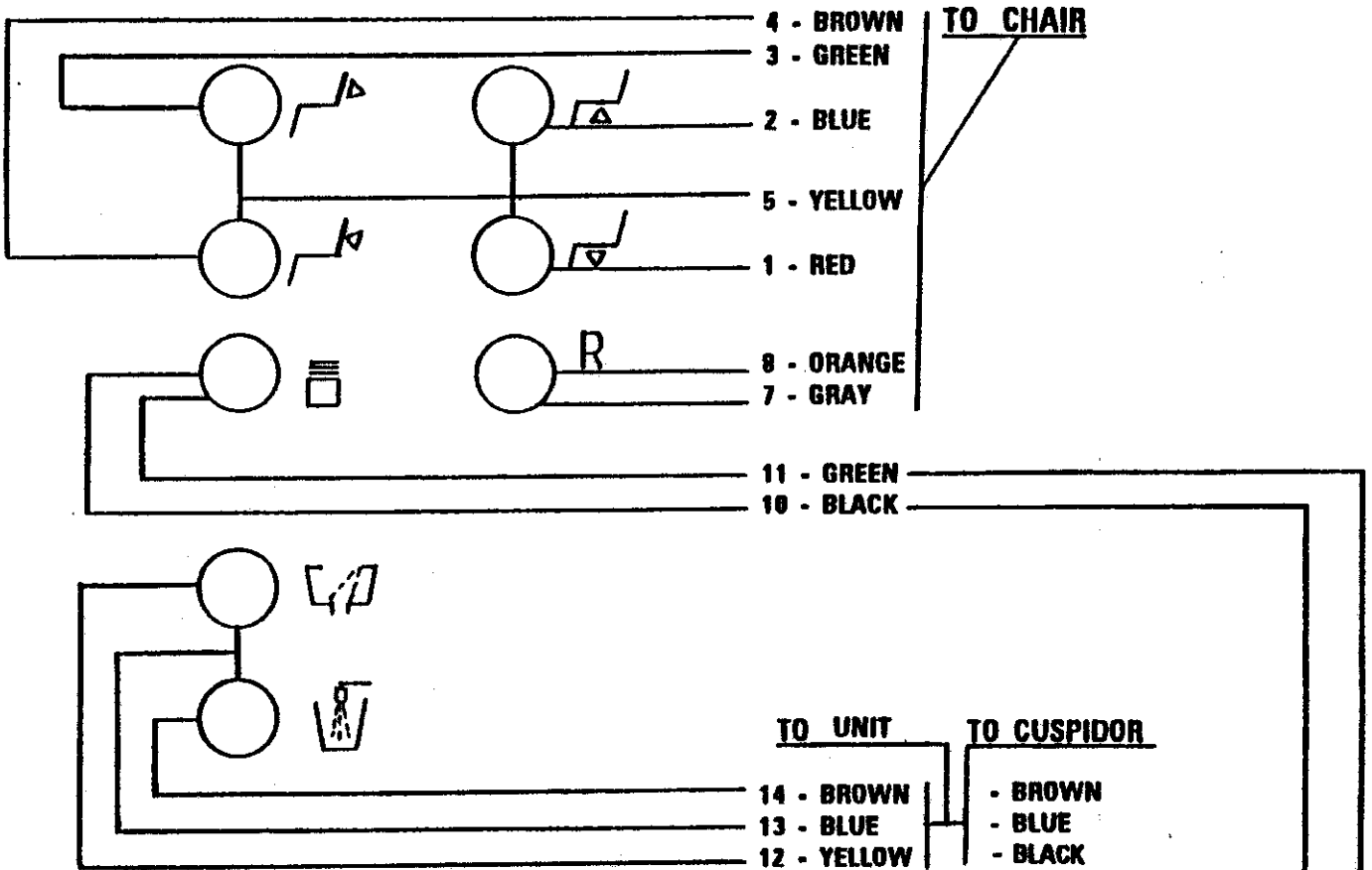
BROWN

BLACK 24V

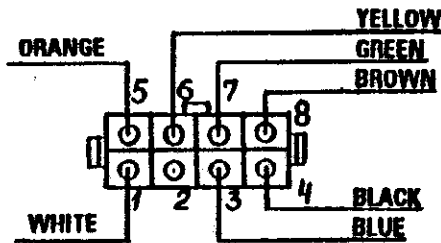
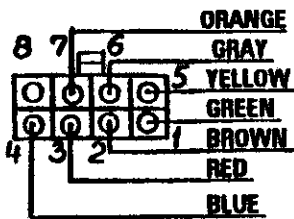


3P - to CN2 SUPERTEK SCHEMA - HOW TO CONNECT CHAIR TECNODENT 3P - 2000 TO HAND CONTROL

ETI COLOR WIRE

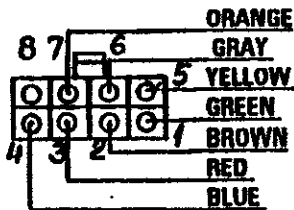


***CONNECTORS FROM TOUCH CONTROL TO UNIT SUPERTEK**
TO CHAIR: TO: CUSPIDOR - 3, 6, 8. TIMER - 4, 7. VIEWER - 1, 5.

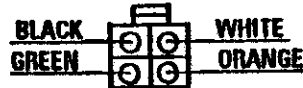


***CONNECTORS FROM UNIT SUPERTEK TO JUNCTION BOX**

TO CHAIR:



TO: TIMER - 2, 4. VIEWER - 1, 3.



*** CONNECTION TO CHAIR
TECNODENT 3P - 2000
PLEASE CONNECT TO CN2 ONLY!**

