



## **CUSPIDORS SERVICE PARTS LIST**

Up - Date 1.01.2000

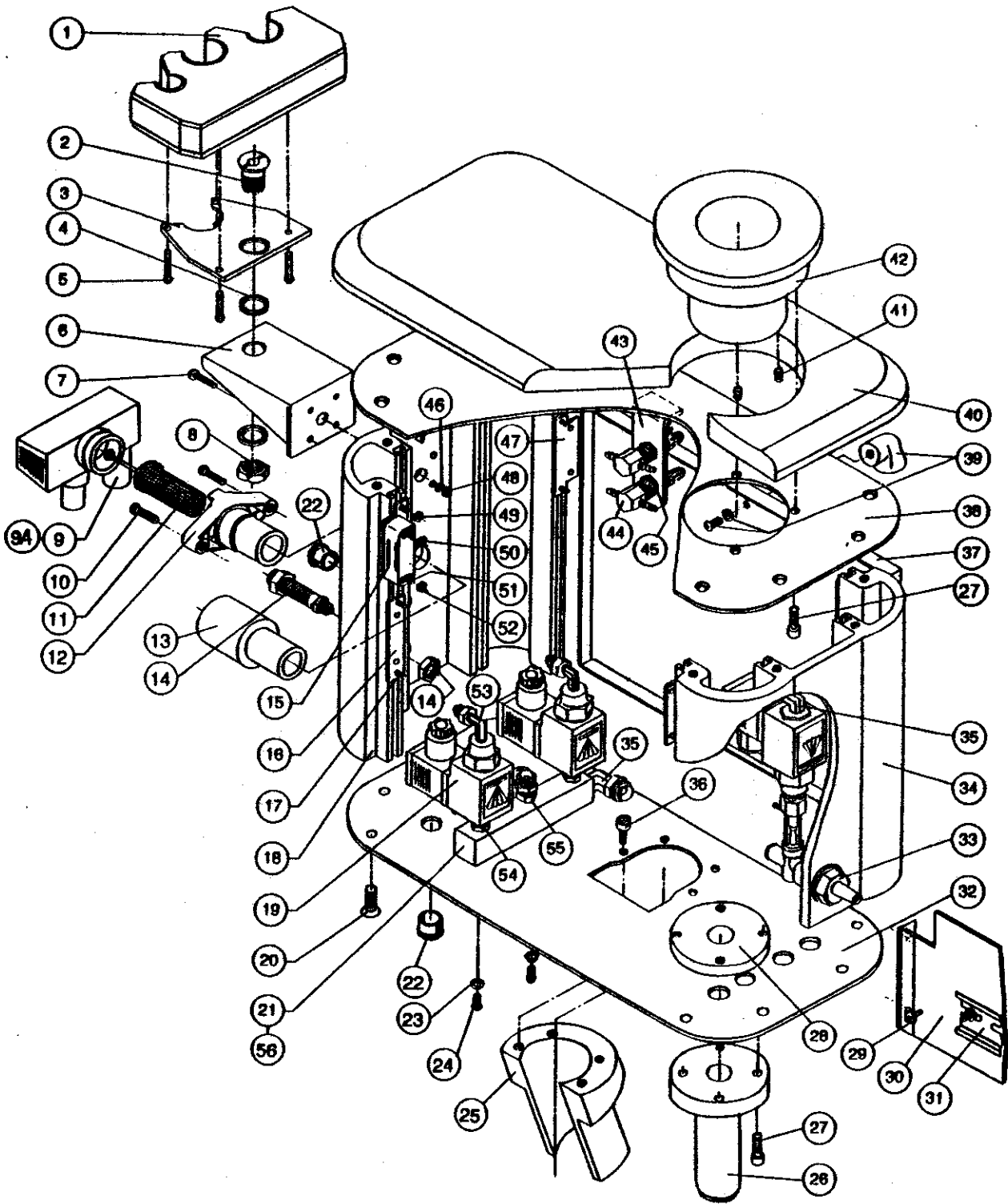
**ETI** **DENTAL INDUSTRIES LTD.**  
New Tel For Factory and show Room 972-3-5799760, 972-3-5799759  
16, HAKISHON Bney-Brak ISRAEL  
Mail Address P.O.BOX: 1400 Bney-Brak 51114 Israel.  
**FAX. No. 972-3-5799758**

<b>ORDERING INFORMATION</b>	<b>1</b>
<b>SERVICE PARTS CODES</b>	<b>2</b>
<b>SMALL CUSPIDORS</b>	<b>3</b>
<b>BIG CUSPIDORS</b>	<b>4</b>
<b>CUSPIDOR TOPS</b>	<b>5</b>
<b>NEEDLE VALVE</b>	<b>6</b>
<b>ARM SYSTEMS</b>	<b>7</b>
<b>SUCTION HOLDERS</b>	<b>8</b>
<b>WATER MANIFOLD , VENTURI</b>	<b>9</b>
<b>VACUUM SYSTEMS</b>	<b>10</b>
<b>ELECTRICAL PANELS</b>	<b>11</b>
<b>SUCTION SYSTEMS SCHEMES</b>	<b>12</b>

**ET 2100 MINI CUSPIDOR BASE  
FOR SWIVEL TOP INCLUDING SUCTION TUBING AND SMALL ARM**

3

3



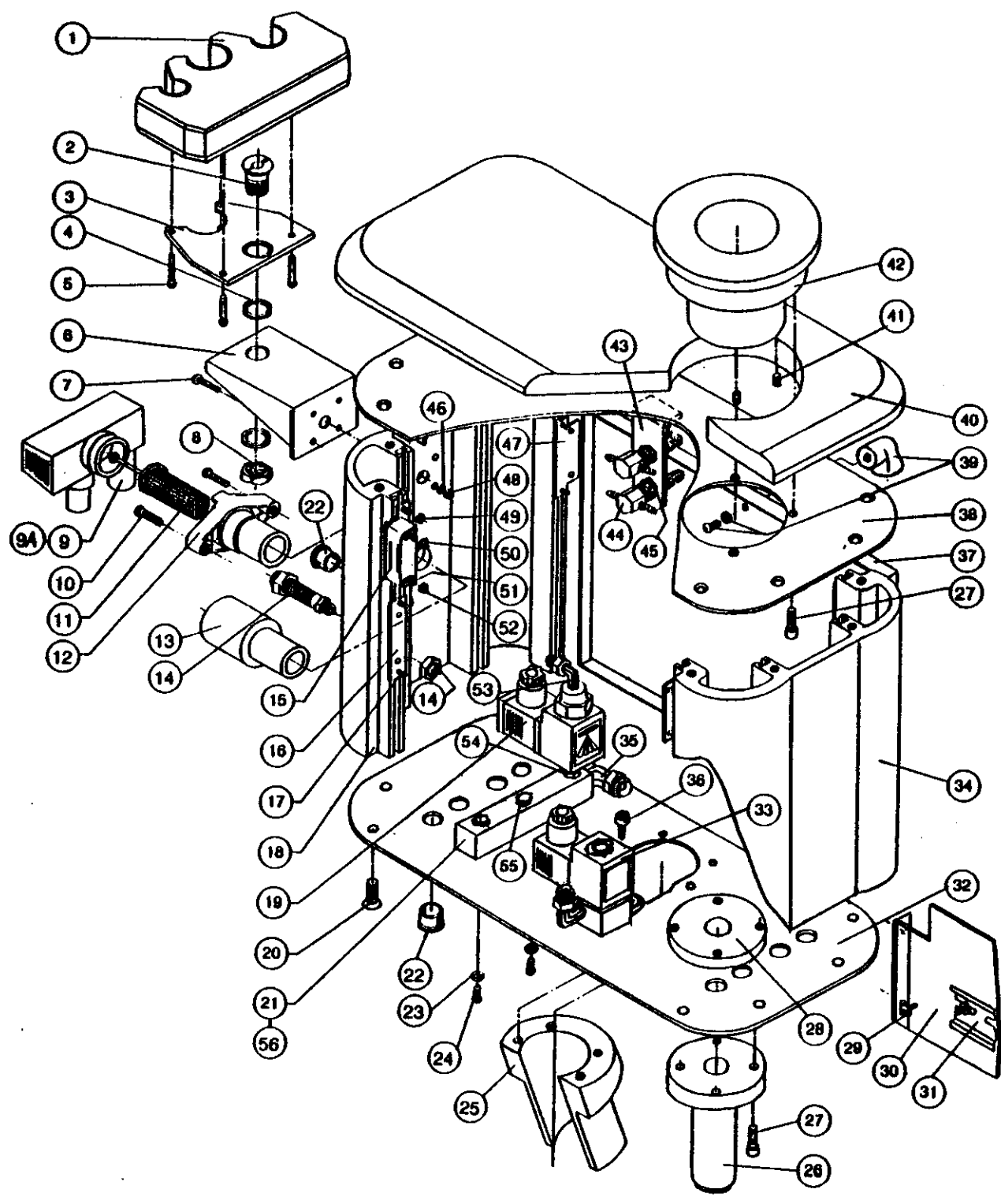
**ET 2100 MINI CUSPIDOR BASE**  
**FOR SWIVEL TOP INCLUDING SUCTION TUBING AND SMALL ARM (Continued)**

REF. NO.	DESCRIPTION	PART NO.	QTY.	CODE
1	Suction holder 3 pos.	ET 9003	1	2
2	Pivot	CU 0100	1	3
3	Plate for suction holder	CU 0120	1	9
4	Washer for plate	CU 0160	2	9
5	Screw 6 - 32 x 3/4	23048	4	4
6	Small arm	CU 0140	1	9
7	Screw 10 - 24 x 5/8	P05016	4	4
8	Locknut	CU 0180	1	9
9	Suction manifold two outlet	CA 1132	1	1
9A	O - ring	CA 1131	1	1
10	Screw 8 - 32 x 3/4	23068	2	4
11	Suction filter	CA 1130	1	1
12	Handler suction manifold	CA 1128	1	3
13	Vacuum connector 3/4 "	CU 0500	1	9
14	Water quick connection 1/4 "	DC 0011	1	2
15	Magnet RALY, White	AB 272	5	3
16	Magnet handler for electrical side door	CU 2160	1	9
17	Screw M 4 x 10	510101	10	4
18	Front profile	CU 2280	1	9
19	Solenoid valve	BA 001	3	2
20	Screw 1/4 - 20 x 3/4	22308	16	4
21	Solenoid valve manifold	CU 0370	1	9
22	Bushing snap 3/8 Dia., Black	HE 2063	2	2
23	Washer # 8 x 9.5	96306	2	4
24	Screw 8 - 32 x 5/16	23063	2	4
25	Tubing holder, 65 mm. Dia.	CU 0520	1	9
26	Main connector	CU 0540	1	9
27	Screw 1/4 - 20 x 5/8	57042	8	4
28	Metal washer	CU 0560	1	9
29	Nut 8 - 32	70209	7	4
30	Electrical side door	CU 2220	1	9
31	Electrical panel manifold	CU 0340	1	9
32	Lower plate	CU 2100	1	9
33	Venturi	CU 0403	1	2
34	Back profile	CU 2300	1	9
35	Corner connection 3/8 " x 1/8 "	DC 0059	2	9
36	Screw 1/4 - 20 x 1/2	57041	4	4
37	Small side door	CU 2200	2	3
38	Upper plate	CU 2120	1	9
39	Handle (comp.)	CU 2320	2	4
40	Cover porcelain	CU 2261	1	9
41	Screw 10 - 32 x 1/4	59041	2	4
42	Main plastic sleeve	CU 2240	1	9
43	Needle valve handler corner	CU 2180	1	9
44	Needle valve	CU 0580	2	2
45	Nut 1/2 UNEF	CU 0700	4	4
46	Washer # 10 x 11	96308	4	4
47	Magnet handler	CU 2140	8	9
48	Nut 10 - 24	70214	4	4
49	Nut M 4	510802	14	4
50	Washer M 3 x 7	51420	10	4
51	Screw M 3 x 20	513001	10	4
52	Nut M 3	510801	10	4
53	Corner connection 1/4 " x 1/8 "	DC 0061	2	9
54	Reducing nipple 1/4 " x 1/8 "	DC 0036	2	4
55	Connection 3/8 " x 1/8 "	DC 0051	1	4
56	Barb 1/8 x 10 - 32	DC 0075	1	2

**ET 2100 MINI CUSPIDOR BASE**  
**FOR SWIVEL TOP INCLUDING SUCTION TUBING AND SMALL ARM**  
**JERZY**

3

3



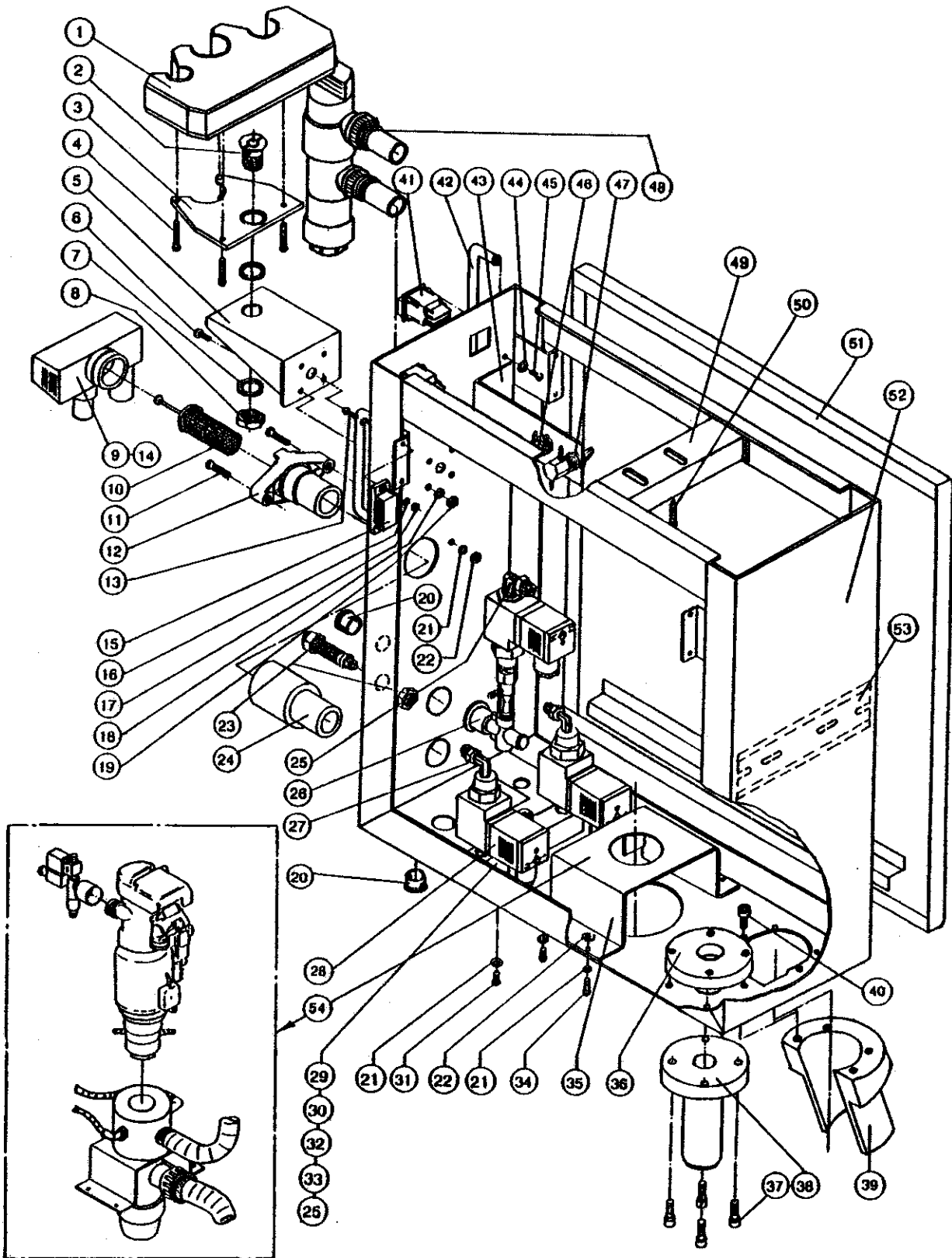
**ET 2100 MINI CUSPIDOR BASE JERZY**  
**FOR SWIVEL TOP INCLUDING SUCTION TUBING AND SMALL ARM (Continued)**

REF. NO.	DESCRIPTION	PART NO.	QTY.	CODE
1	Suction holder 3 pos.	ET 9003	1	2
2	Pivot	CU 0100	1	3
3	Plate for suction holder	CU 0120	1	9
4	Washer for plate	CU 0160	2	9
5	Screw 6 - 32 x 3/4	23048	4	4
6	Small arm	CU 0140	1	9
7	Screw 10 - 24 x 5/8	P05016	4	4
8	Locknut	CU 0180	1	9
9	Suction manifold two outlet	CA 1132	1	1
9A	O - ring	CA 1131	1	1
10	Screw 8 - 32 x 3/4	23068	2	4
11	Suction filter	CA 1130	1	1
12	Handler suction manifold	CA 1128	1	3
13	Vacuum connector 3/4 "	CU 0500	1	9
14	Water quick connection 1/4 "	DC 0011	1	2
15	Magnet RALY, White	AB 272	9	3
16	Magnet handler for electrical side door	CU 2160	1	9
17	Screw M 4 x 10	510101	10	4
18	Front profile	CU 2280	1	9
19	Solenoid valve	BA 001	1	2
20	Screw 1/4 - 20 x 3/4	22308	16	4
21	Solenoid valve manifold	CU 0370	1	9
22	Bushing snap 3/8 Dia., Black	HE 2063	2	2
23	Washer # 8 x 9.5	96306	2	4
24	Screw 8 - 32 x 5/16	23063	2	4
25	Tubing holder, 65 mm. Dia.	CU 0520	1	9
26	Main connector	CU 0540	1	9
27	Screw 1/4 - 20 x 5/8	57042	8	4
28	Metal washer	CU 0560	1	9
29	Nut 8 - 32	70209	7	4
30	Electrical side door	CU 2220	1	9
31	Electrical panel manifold	CU 0340	1	9
32	Lower plate	CU 2100	1	9
33	Solenoid valve	CO 2411	1	2
34	Back profile	CU 2300	1	9
35	Corner connection 3/8 " x 1/8 "	DC 0059	2	9
36	Screw 1/4 - 20 x 1/2	57041	4	4
37	Small side door	CU 2200	2	3
38	Upper plate	CU 2120	1	9
39	Handle ( comp. )	CU 2320	2	4
40	Cover porcelain	CU 2261	1	9
41	Screw 10 - 32 x 1/4	59041	2	4
42	Main plastic sleeve	CU 2240	1	9
43	Needle valve handler corner	CU 2180	1	9
44	Needle valve	CU 0580	2	2
45	Nut 1/2 UNEF	CU 0700	4	4
46	Washer # 10 x 11	96308	4	4
47	Magnet handler	CU 2140	8	9
48	Nut 10 - 24	70214	4	4
49	Nut M 4	510802	14	4
50	Washer M 3 x 7	51420	10	4
51	Screw M 3 x 20	513001	10	4
52	Nut M 3	510801	10	4
53	Corner connection 1/4 " x 1/8 "	DC 0061	2	9
54	Reducing nipple 1/4 " x 1/8 "	DC 0836	1	4
55	Hex plug, 1/8 MPT	DC 0097	2	4
56	Barb 1/8 x 10 - 32	DC 0075	1	2

**ET 9045 BIG CUSPIDOR BASE  
INCLUDING SUCTION TUBING AND SMALL ARM  
FOR DURR WITH AIR SUCTION VENTURI**

4

4

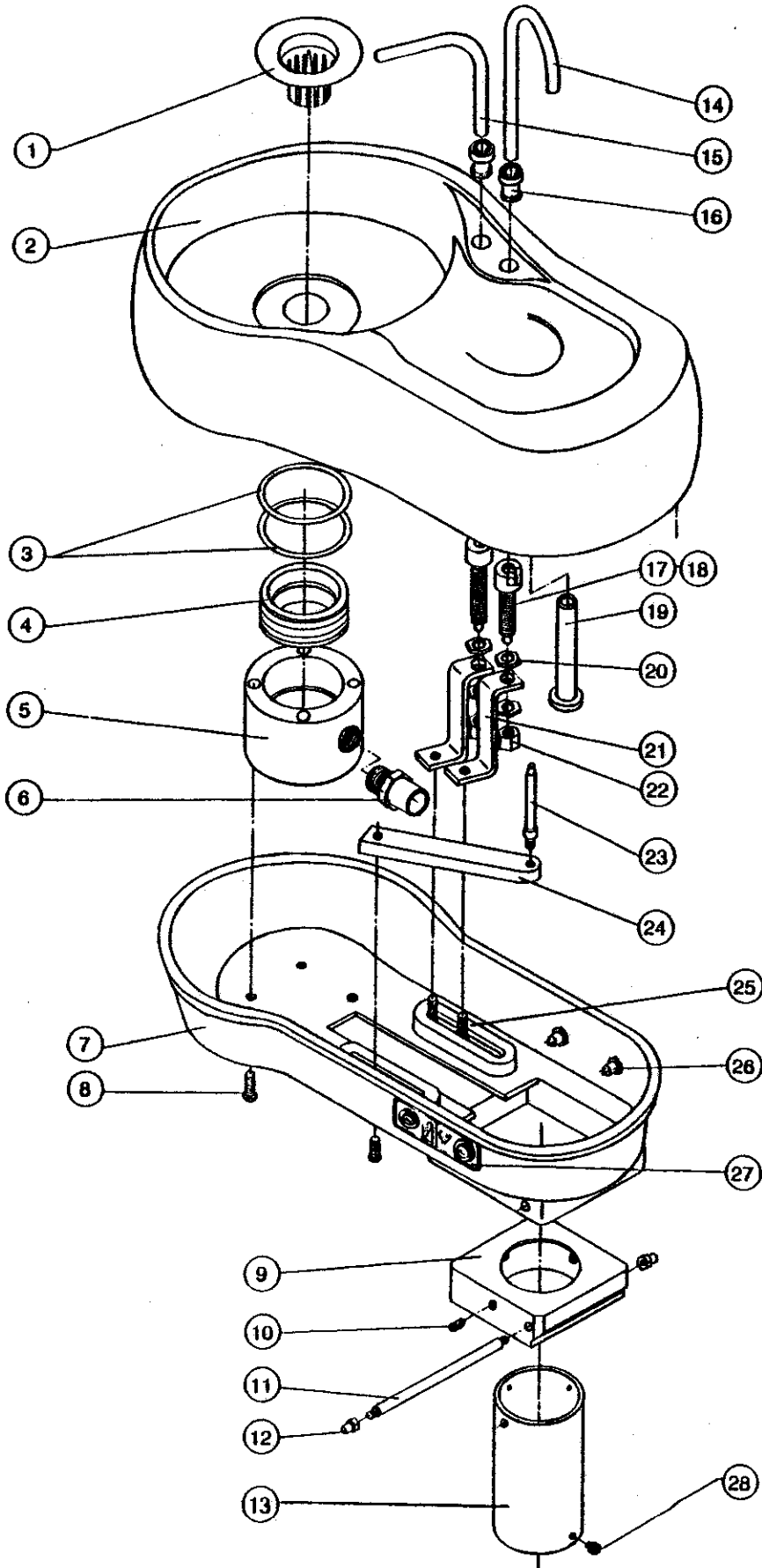


**ET 9045 BIG CUSPIDOR BASE  
INCLUDING SUCTION TUBING AND SMALL ARM  
FOR DURR WITH AIR SUCTION VENTURI  
( Continued )**

REF. NO.	DESCRIPTION	PART NO.	QTY.	CODE
1	Suction holder 3 pos.	ET 9003	1	2
2	Pivot	CU 0100	1	3
3	Plate for suction holder	CU 0120	1	9
4	Screw 6 - 32 x 3/4	23048	4	4
5	Small arm	CU 0140	1	9
6	Screw 10 - 24 x 3/8	P05009	4	4
7	Washer for plate	CU 0160	2	9
8	Locknut	CU 0180	1	9
9	Suction manifold two outlet	CA 1132	1	1
10	Suction filter	CA 1130	1	1
11	Screw 8 - 32 x 3/4	23068	2	4
12	Handler suction manifold	CA 1128	1	3
13	Screw M 3 x 20	513401	8	4
14	O - ring	CA 1131	1	1
15	Magnet RALY, White	AB 272	4	3
16	Washer M 3 x 7	514201	16	4
17	Nut M 3	510901	8	4
18	Washer # 10 x 11	96308	4	4
19	Nut 10 - 24	70214	4	4
20	Bushing snap 3/8 Dia., Black	HE 2063	2	2
21	Washer # 8 x 9.5	96306	8	4
22	Nut 8 - 32	70209	12	4
23	Water quick connection 1/4 "	DC 0011	1	2
24	Vacuum connector 3/4 "	CU 0500	1	9
25	Corner connection 3/8 " x 1/8 "	DC 0059	2	9
26	Venturi	CU 0403	1	2
27	Corner connection 1/4 " x 1/8 "	DC 0061	2	9
28	Relay valve	BA 001	3	2
29	Relay valve manifold	CU 0370	1	9
30	Reducing nipple 1/4 " x 1/8 "	DC 0036	2	9
31	Screw 8 - 32 x 5/16	23063	2	4
32	Connection 3/8 " x 1/8 "	DC 0051	1	9
33	Barb 1/8 x 10-32	DC 0075	1	2
34	Screw 8 - 32 x 1/2	23066	4	4
35	Amalgamate collector holder	CU 0745	1	9
36	Metal washer	CU 0560	1	9
37	Screw 1/4 - 20 x 5/8	57042	4	4
38	Main connector	CU 0540	1	9
39	Tubing holder, 65 mm. Dia.	CU 0520	1	9
40	Screw 1/4 - 20 x 1/2	57041	8	4
41	Illuminated pushbutton switch, single pole	KA 2233	2	2
42	Handle	CU 0760	2	3
43	Needle valve handler	CU 0842	1	9
44	Washer M 4 x 9	514202	4	4
45	Screw M 4 x 8	513402	4	4
46	Needle valve	CU 0580	2	2
47	Nut 1/2 UNEF	CU 0700	4	4
48	Porcelain bowl left holder	CU 0922	1	9
49	Bottom holder plate	CU 0962	1	9
50	Screw # 8 x 1 "	47067	2	4
51	Side door	CU 0862	2	3
52	Big cuspidor housing	CU 0802	1	9
53	Electrical panel manifold	CU 0980	1	9
54	Air vacuum system with DURR separator tank and air vacuum venturi	ET 9321	1	2



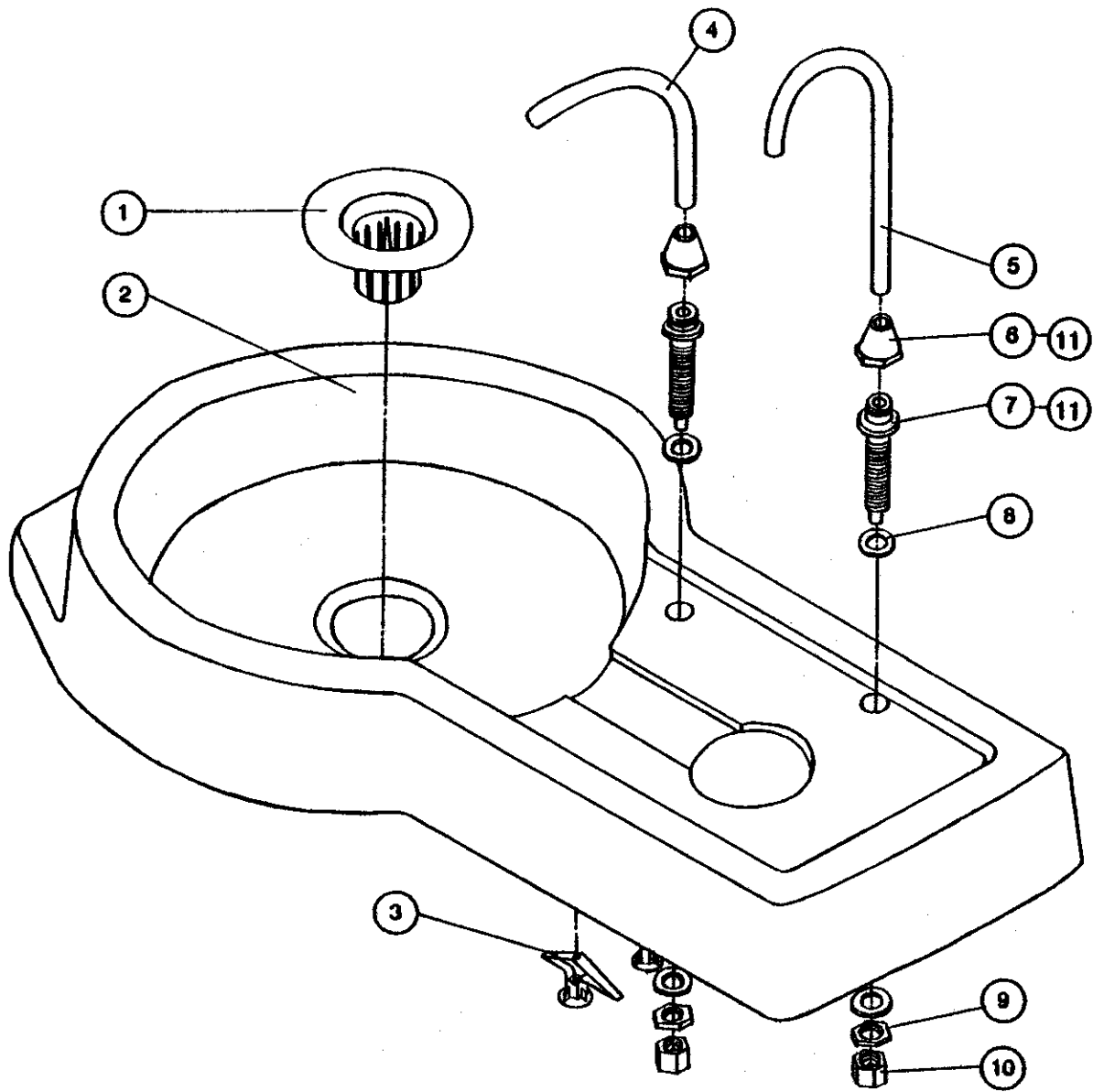
# ET 2120 CUSPIDOR SWIVEL TOP



**ET 2120 CUSPIDOR SWIVEL TOP****( Continued )**

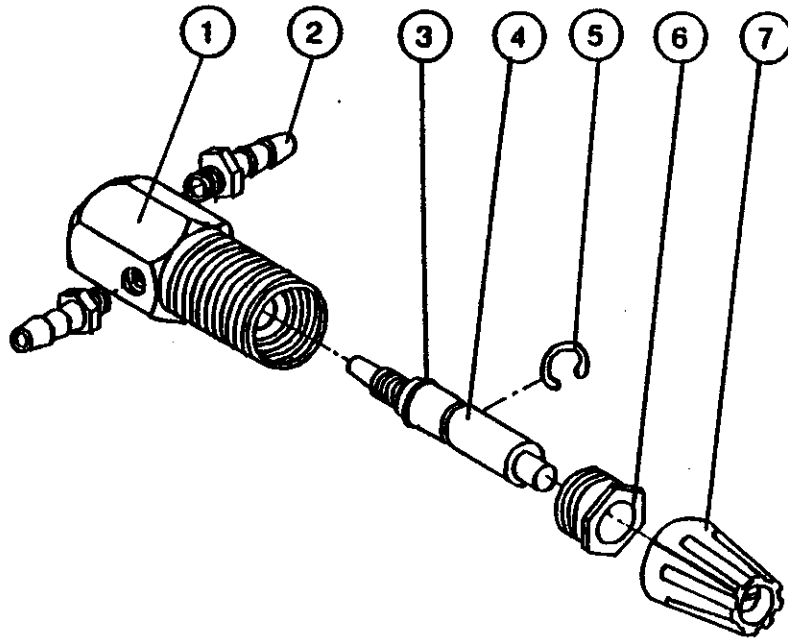
<b>REF. NO.</b>	<b>DESCRIPTION</b>	<b>PART NO.</b>	<b>QTY.</b>	<b>CODE</b>
1	Screen plastic cusp. bowl	DC 5312	1	2
2	New porcelain bowl	CU 2506	1	2
3	Large O - ring 2.0 ID x 0.16 W	HY 50*4	2	4
4	Bushing	CU 2526	1	9
5	Sleeve plastic	CU 2546	1	9
6	Drain adaptor KIFV 20 x 16 x 1/2	AL 4239	1	9
7	Porcelain bowl holder	CU 2566	1	9
8	Screw 1/4 - 20 x 3/4	57343	4	4
9	Rotating spitton holder	CU 2586	1	9
10	Screw 1/4 - 20 x 1/4	59051	3	4
11	Pivot rod hinge	CU 2606	1	4
12	Cap nut	CU 2626	2	4
13	Pivot tube	CU 1200	1	9
14	Tube assy cup filler	CU 2646	1	2
15	Tube assy bowl rinse	CU 2666	1	2
16	Rubber socket	CU 2686	2	4
17	Socket assy	CU 2706	2	9
18	O - ring 0.31 ID x 0.04 W	TC 8*1	6	4
19	Rubber bushing	CU 2696	2	4
20	Nut for socket assy	CU 1320	4	4
21	Socket assy holder	CU 1480	2	9
22	Wide nut for socket assy	CU 1340	2	4
23	Cuspidor pin	CU 2726	1	9
24	Metal pin holder	CU 2746	1	9
25	Screw 1/4 - 20 x 3/4	57043	3	4
26	Pushbutton switch round , black	KA IPR3	4	2
27	Bowl shield	CU 2766	2	3
28	Screw 10 - 32 x 3/8	57030	1	4

# ET 9120 CUSPIDOR FIX TOP



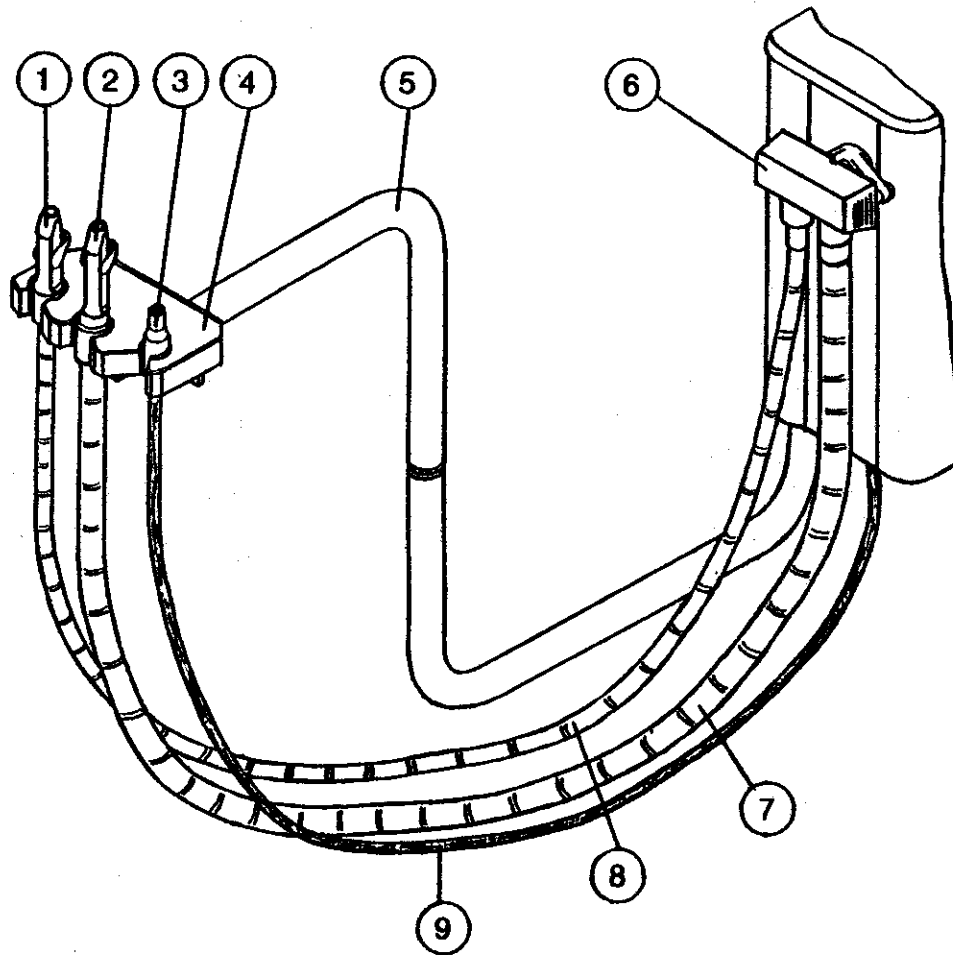
REF. NO.	DESCRIPTION	PART NO.	QTY.	CODE
1	Screen plastic cusp. bowl	DC 5312	1	2
2	Porcelain bowl	ET 9020	1	2
3	Plastic insert 3/8" - 1/2"	MT 1101	2	4
4	Tube assy bowl rinse	CU 1220	1	9
5	Tube assy cup filler	CU 1240	1	9
6	Nut holder	CU 1260	2	9
7	Socket assy	CU 1280	2	9
8	Rubber washer	CU 1300	4	4
9	Nut for socket assy	CU 1320	2	4
10	Wide nut for socket assy	CU 1340	2	4
11	O - ring 0.31 ID x 0.04 W	TC 8*1	6	4

## CU 0580 NEEDLE VALVE



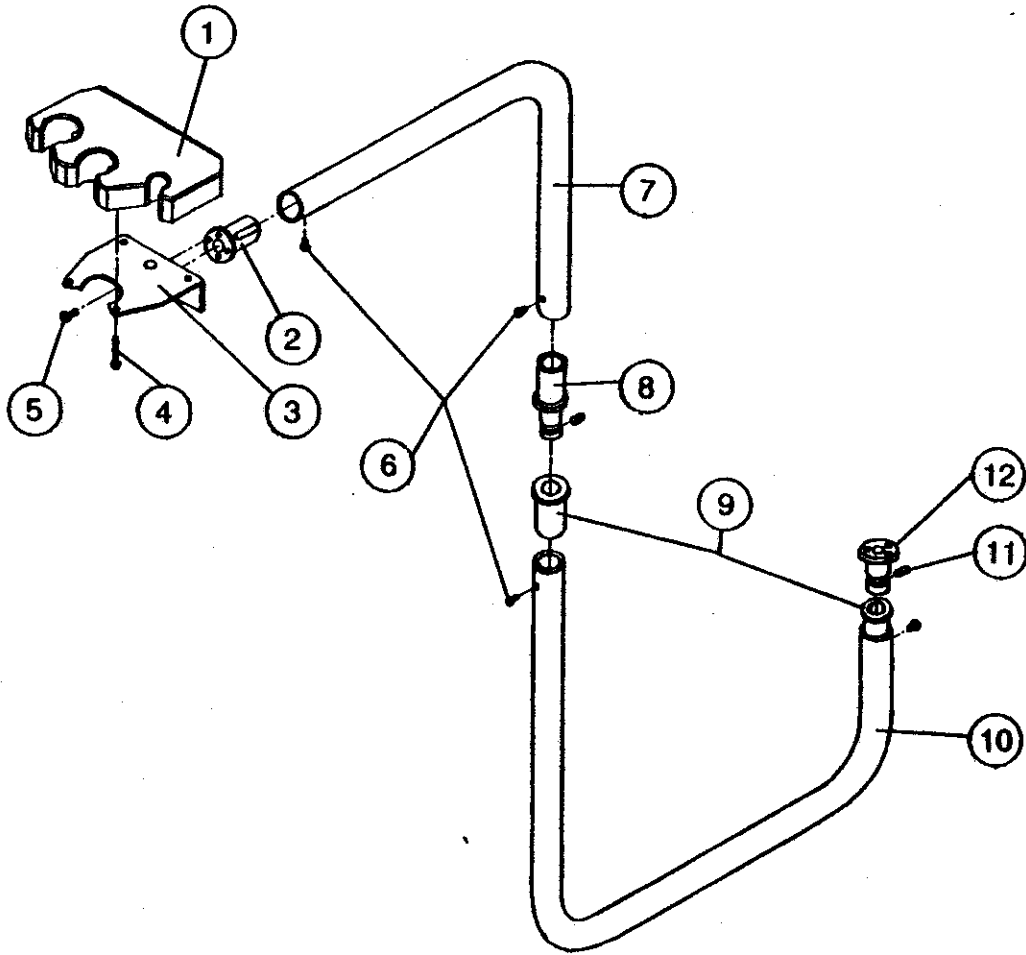
REF. NO.	DESCRIPTION	PART NO.	QTY.	CODE
1	Body needle valve	CU 1760	1	9
2	Barb 1/8 x 10 - 32	DC 0075	2	2
3	O - ring 0.114 ID x 0.07 W	TC 2006	1	4
4	Stem valve needle w/O - ring	CU 1780	1	9
5	Retaining ring, external 1/4 ID	WT 5103	1	4
6	Stopper nut	CU 1790	1	4
7	Knob for needle valve D10 , Black Red dot Blue dot	EL 185 EL 186	1	4

## ET 9004 ROUND SUCTION ARM WITH TUBINGS FOR MINI CUSPIDOR



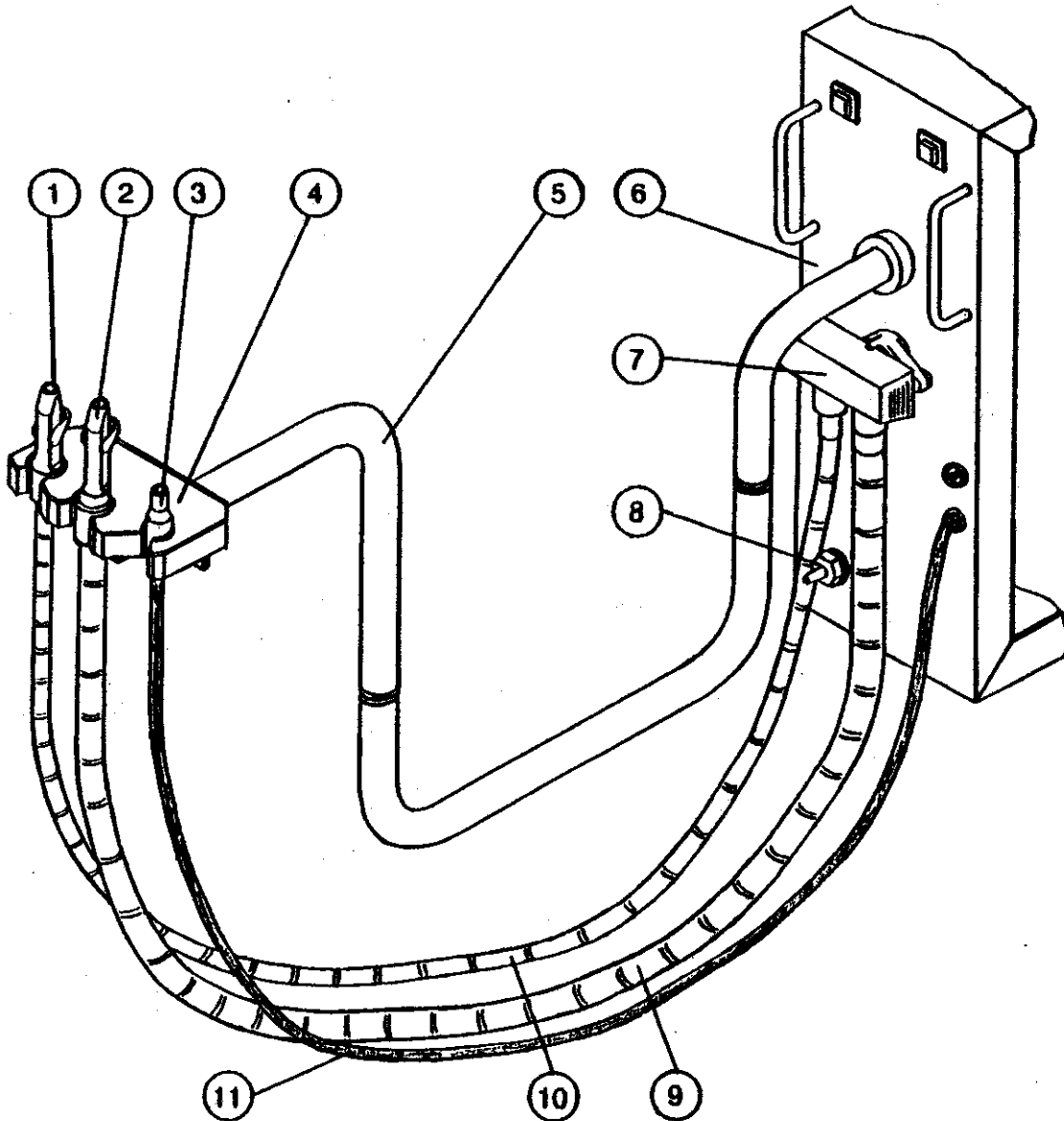
REF. NO.	DESCRIPTION	PART NO.	QTY.	CODE
1	Single vacuum valve without Q.D.		1	1
2	Vacuum valve with Q.D.		1	1
3	Saliva ejector	DC 5720	1	1
4	Suction holder 3 pos.	ET 9003	1	2
5	Round suction arm for mini cuspidor	CU 2400	1	2
6	Suction manifold two outlet	CA 1132	1	1
7	Tubing 17.5 mm. Dia., Black Gray	EXO - 03 EXO - 04	1	2
8	Tubing 11.0 mm. Dia., Black Gray	EXO - 01 EXO - 02	1	2
9	Tubing for venturi, Black Gray	COA - 32 COA - 33	1	2

## CU 2400 ROUND SUCTION ARM ASSEMBLY FOR MINI CUSPIDOR



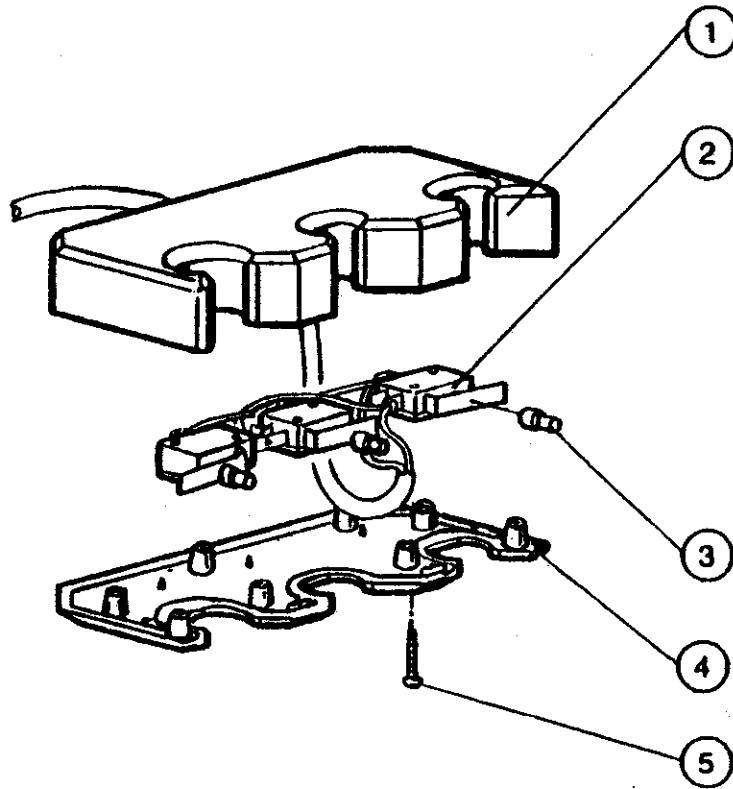
REF. NO.	DESCRIPTION	PART NO.	QTY.	CODE
1	Suction holder 3 pos.	ET 9003	1	2
2	Pivot for suction arm	CU 1604	1	9
3	Plate for suction holder	CU 1624	1	9
4	Screw 6 - 32 x 3/4	23048	4	4
5	Screw 8 - 32 x 3/8	57220	4	4
6	Stoper screw 10 - 24 x 1/4	B05006	4	4
7	Suction holder arm	CU 2424	1	9
8	Connection for two arms	CU 1724	1	9
9	Bushing for long arm	CU 1744	2	9
10	Long arm	CU 2404	1	9
11	Stoper screw 10 - 32 x 1/4	58061	2	4
12	Arm connector	CU 2464	1	9

## ET 9004 ROUND SUCTION ARM WITH TUBINGS



REF. NO.	DESCRIPTION	PART NO.	QTY.	CODE
1	Single vacuum valve without Q.D.	DC 5147	1	1
2	Vacuum valve with Q.D.	DC 5144	1	1
3	Saliva ejector	DC 5720	1	1
4	Suction holder 3 pos.	ET 9003	1	2
5	Round suction arm	CU 1600	1	2
6	Big cuspidor housing	CU 0802	1	9
7	Suction manifold two outlet	CA 1132	1	1
8	Venturi	CU 0403	1	2
9	Tubing 17.5 mm. Dia., Black Gray	EXO - 03 EXO - 04	1	2
10	Tubing 11.0 mm. Dia., Black Gray	EXO - 01 EXO - 02	1	2
11	Tubing for venturi, Black Gray	COA - 32 COA - 33	1	2

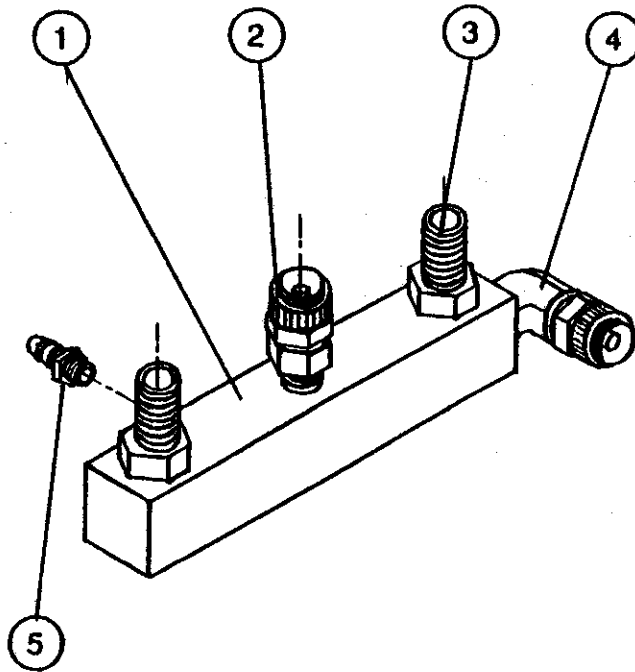
# ET 9003 SUCTION HOLDER 3 POS.



REF. NO.	DESCRIPTION	PART NO.	QTY.	CODE
1	Upper part	CU 0040	1	2
2	Snap - action switch , straight lever 17.5 mm.	LE XC3	3	2
3	Push button	CU 0060	3	2
4	Lower part	CU 0050	1	2
5	Screw 6 - 32 x 3/4	23048	8	4

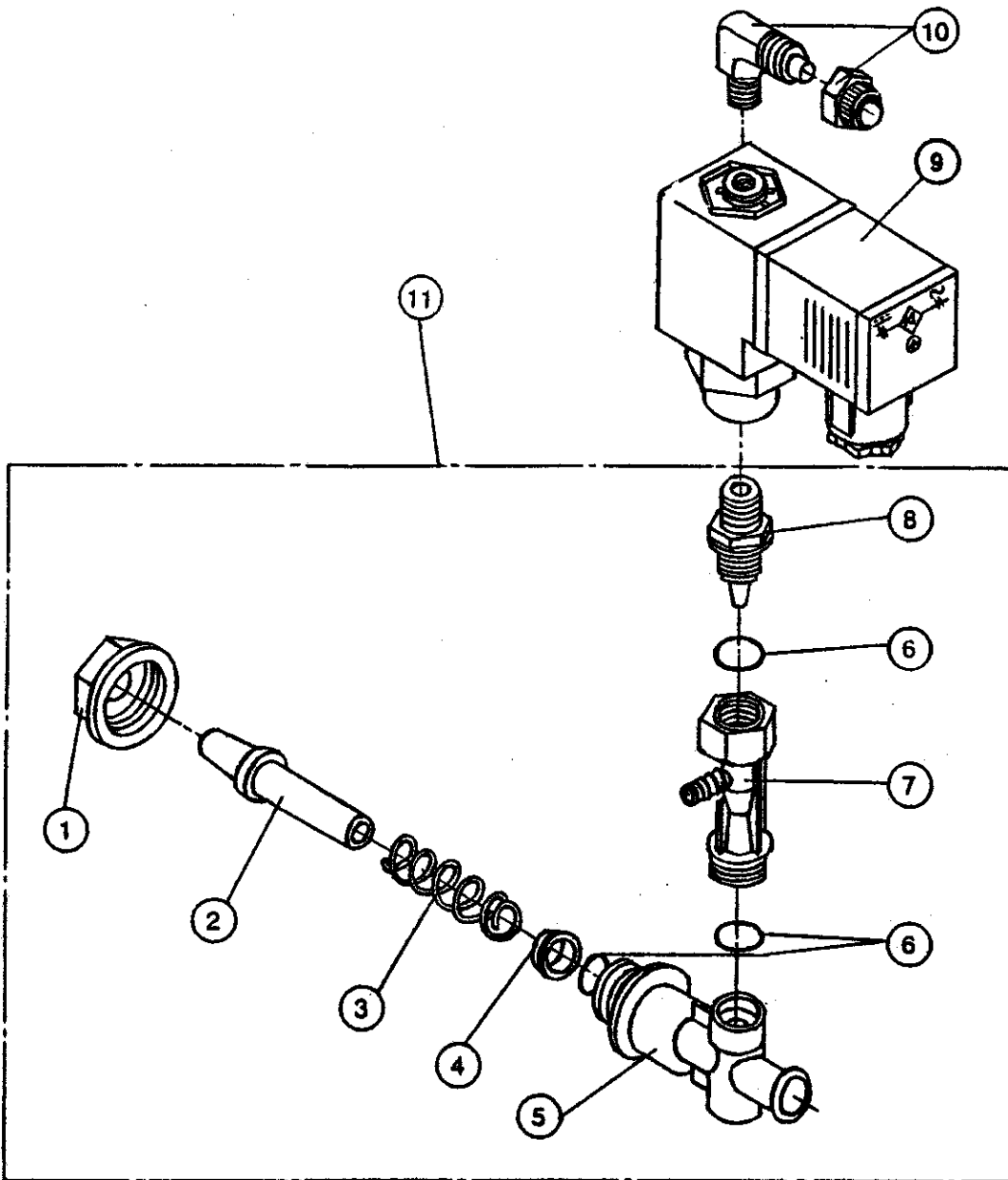


# CU 0360 WATER MANIFOLD



REF. NO.	DESCRIPTION	PART NO.	QTY.	CODE
1	Solenoid valve manifold	CU 0370	1	9
2	Connection 3/8 " x 1/8 "	DC 0051	1	9
3	Reducing nipple 1/4 " x 1/8 "	DC 0836	2	9
4	Corner connection 3/8 " x 1/8 "	DC 0059	1	9
5	Barb 1/8 x 10 - 32	DC 0075	1	2

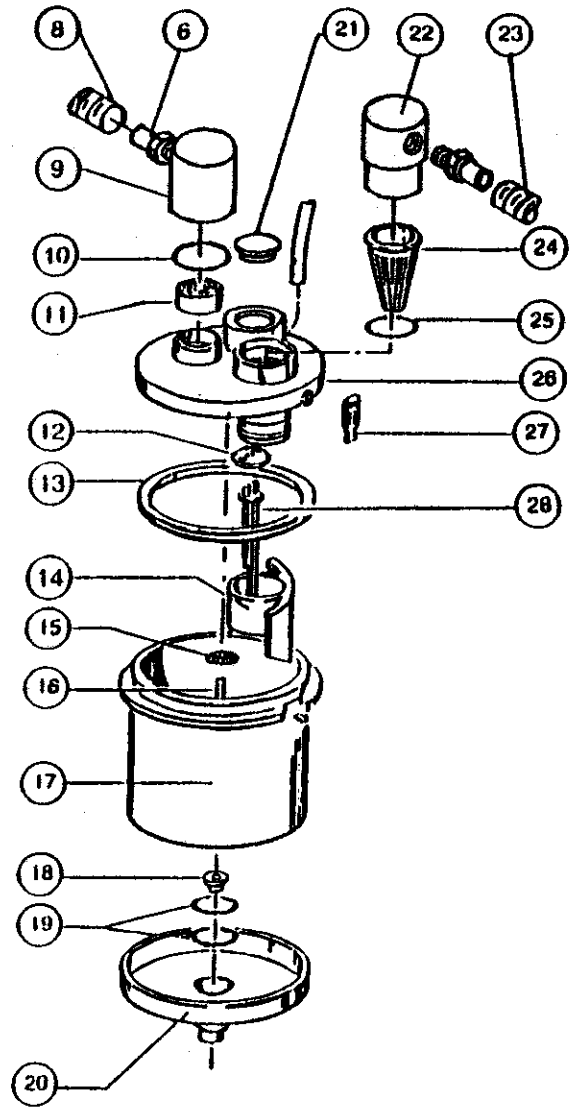
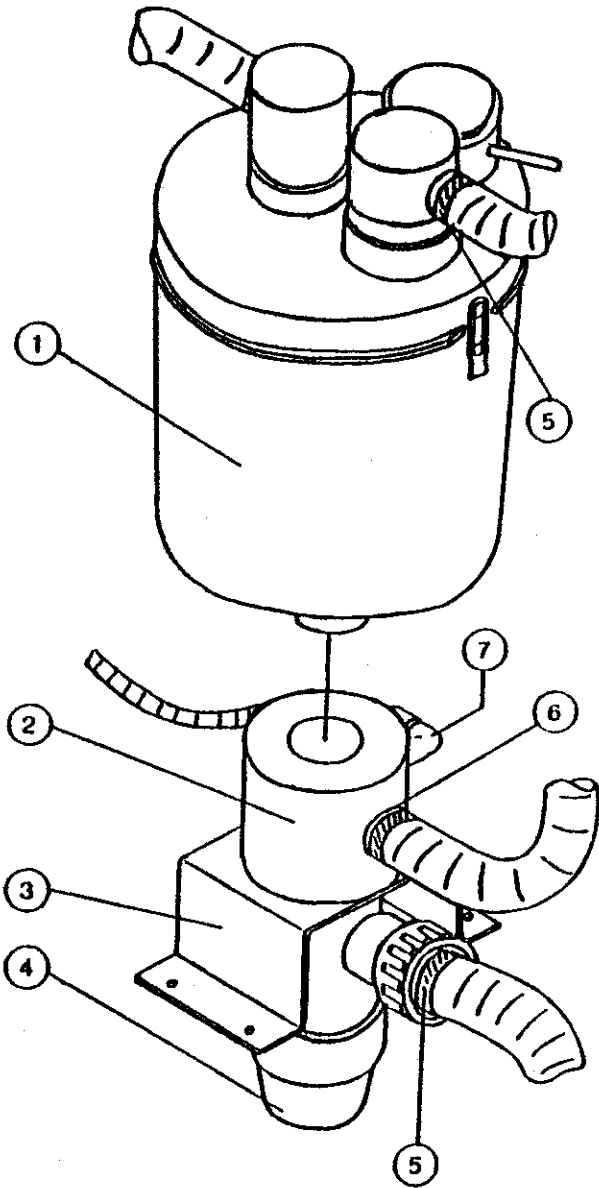
## CU 0400 VENTURI WITH RELAY VALVE



REF. NO.	DESCRIPTION	PART NO.	QTY.	CODE
1	Push button cover	CU 0413	1	2
2	Push button	CU 0423	1	2
3	Spring	CU 0433	1	2
4	Bushing	CU 0443	1	2
5	Venturi housing	CU 0453	1	2
6	O - ring 3/8 " x 1/16 "	CU 0463	3	2
7	Venturi tubing	CU 0473	1	2
8	Reducing nipple	CU 0483	1	2
9	Relay valve	BA 001	1	2
10	Corner connection 3/8 " x 1/8 "	DC 0059	1	9
11	Venturi	CU 0403	1	2

**ET 9300 VACUUM SYSTEM  
WITH BIG SEPARATOR TANK**

10



10

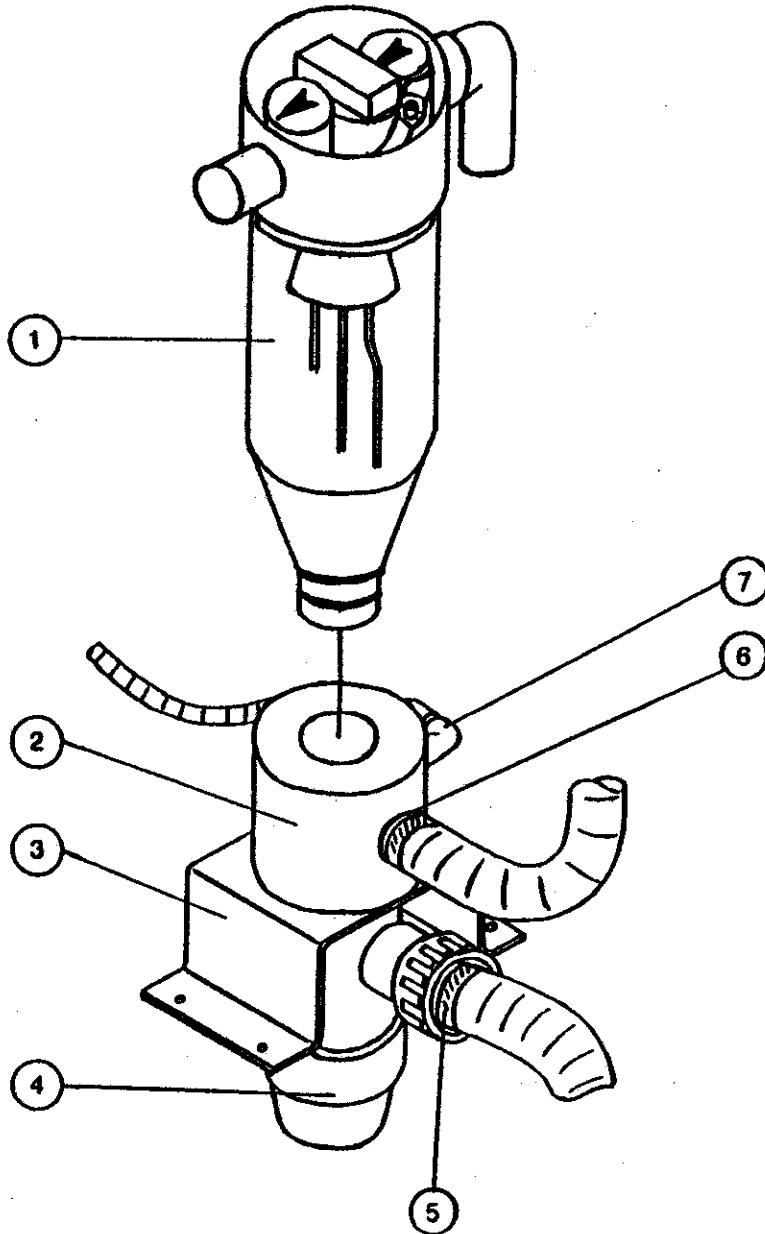
**ET 9300 VACUUM SYSTEM  
WITH BIG SEPARATOR TANK  
( Continued )**

<b>REF. NO.</b>	<b>DESCRIPTION</b>	<b>PART NO.</b>	<b>QTY.</b>	<b>CODE</b>
1	Big separator tank , Black , Cattani	ET 9012	1	2
2	Separator housing	CU 1805	1	9
3	Drain collector holder	CU 0745	1	9
4	Drain collector	HO C-60	1	2
5	Hose clamp ABA	HZ 1524	4	4
6	Drain adaptor KIFV 20 x 16 x 1/2 "	AL 4239	3	9
7	Elbow transferor 12 mm. x 1/2 "	TE 5208	1	9
8	Suction tubing vacuum 1 "		1	4
9	Tubing adaptor	CU 1825	1	9
10	O - ring	CA 043	1	4
11	Filter	CA 2028	1	1
12	Rubber band adaptor	CA 035	1	9
13	Ring	CA 039	1	9
14	Side pritector	CA 2026	1	9
15	Screen solide separator	CA 023	1	4
16	Screw	CA 022	1	4
17	Housing canister	CA 024	1	9
18	Inserted adaptor	CA 4201	1	1
19	O - ring	CA 092	2	4
20	Body lower base	CA 021	1	9
21	Cover	CA 1107	1	9
22	Tubing adaptor	CU 1845	1	9
23	Tubing vacuum 1 "		1	4
24	Cone filter	CA 2029	1	4
25	O - ring	CA 054	1	4
26	Body sub assy upper part	CA 2027	1	9
27	Connector	CA 4208	2	9
28	Electrode conector	CA 0041	1	9

10

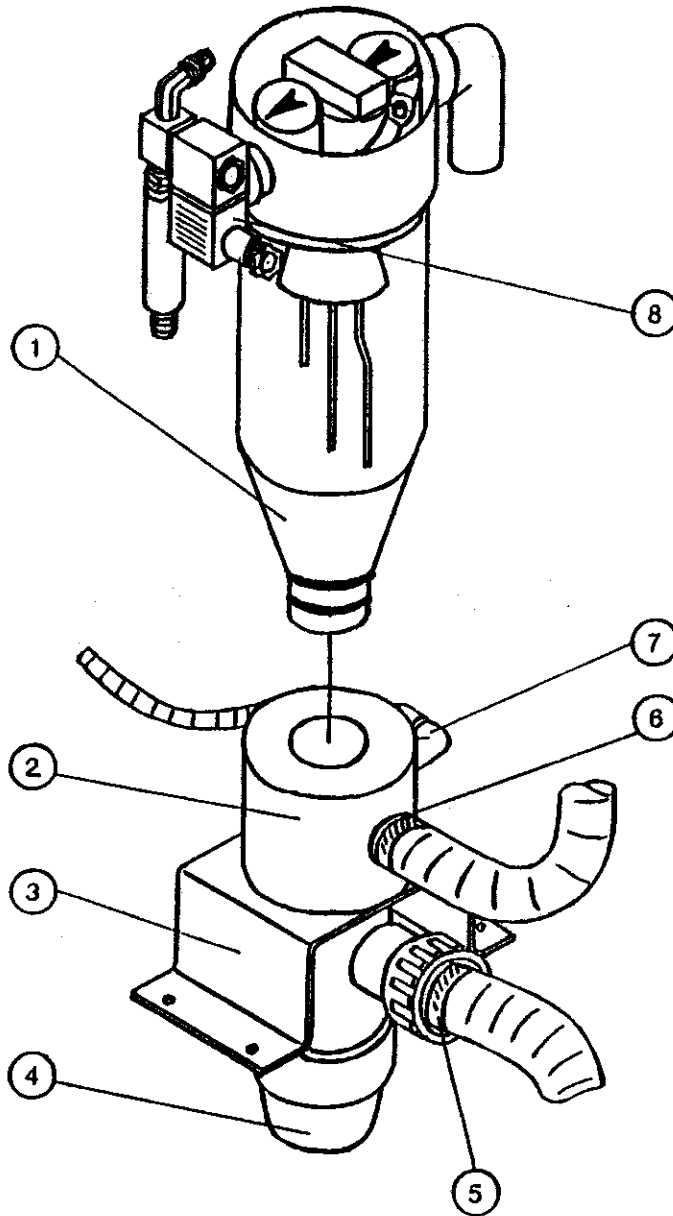
10

**ET 9310 VACUUM SYSTEM  
WITH ELECTRONIC MINI SEPARATOR TANK**



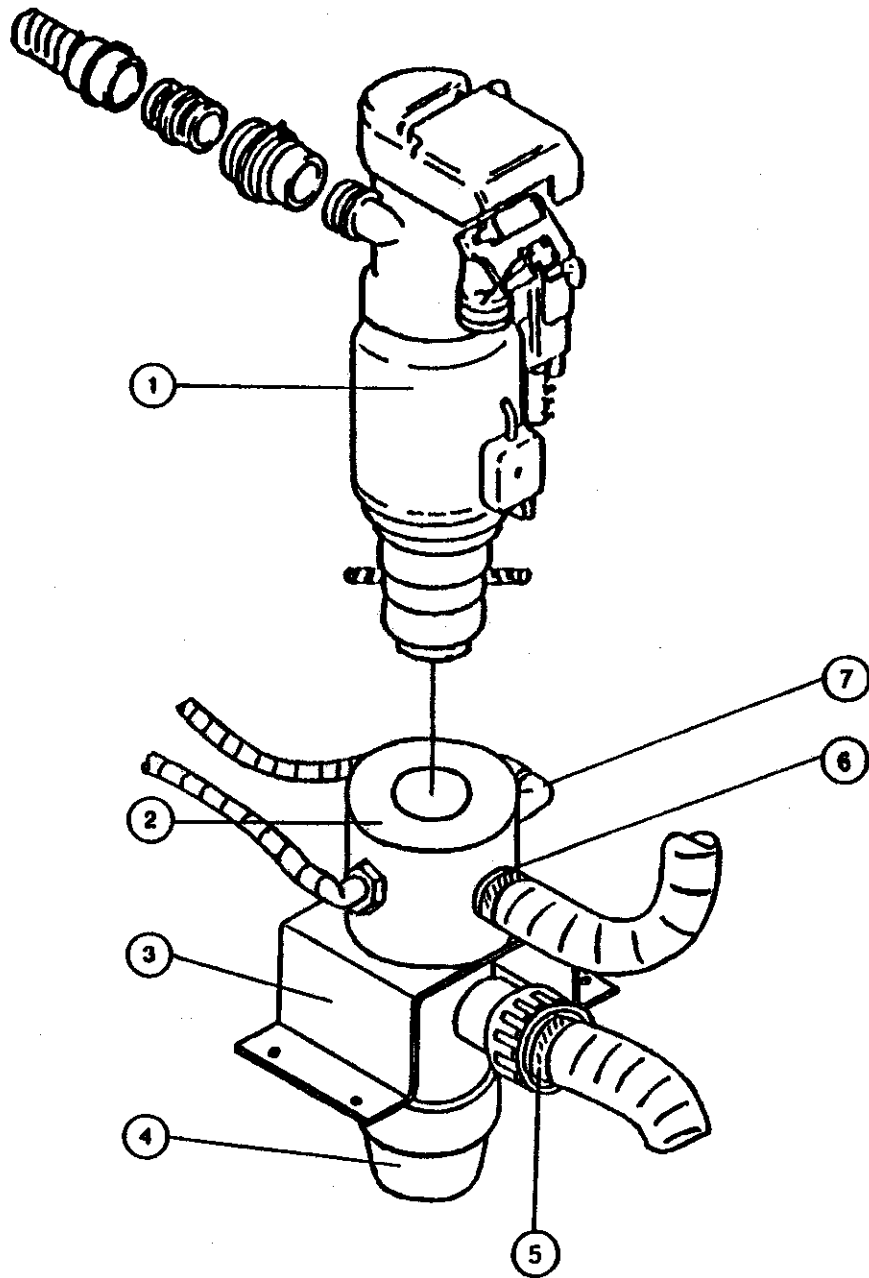
REF. NO.	DESCRIPTION	PART NO.	QTY.	CODE
1	Mini separator tank, Clear, Cattani	CA 0068	1	2
2	Separator housing	CU 1805	1	9
3	Drain collector holder	CU 0745	1	9
4	Drain collector	HO C-60	1	2
5	Hose clamp ABA	HZ 1524	2	4
6	Drain adaptor KIFV 20 x 16 x 1/2 "	AL 4239	1	9
7	Elbow transferor 12 mm. x 1/2 "	TE 5208	1	9

**ET 9311 AIR VACUUM SYSTEM  
WITH MINI SEPARATOR TANK AND AIR VACUUM VENTURI**



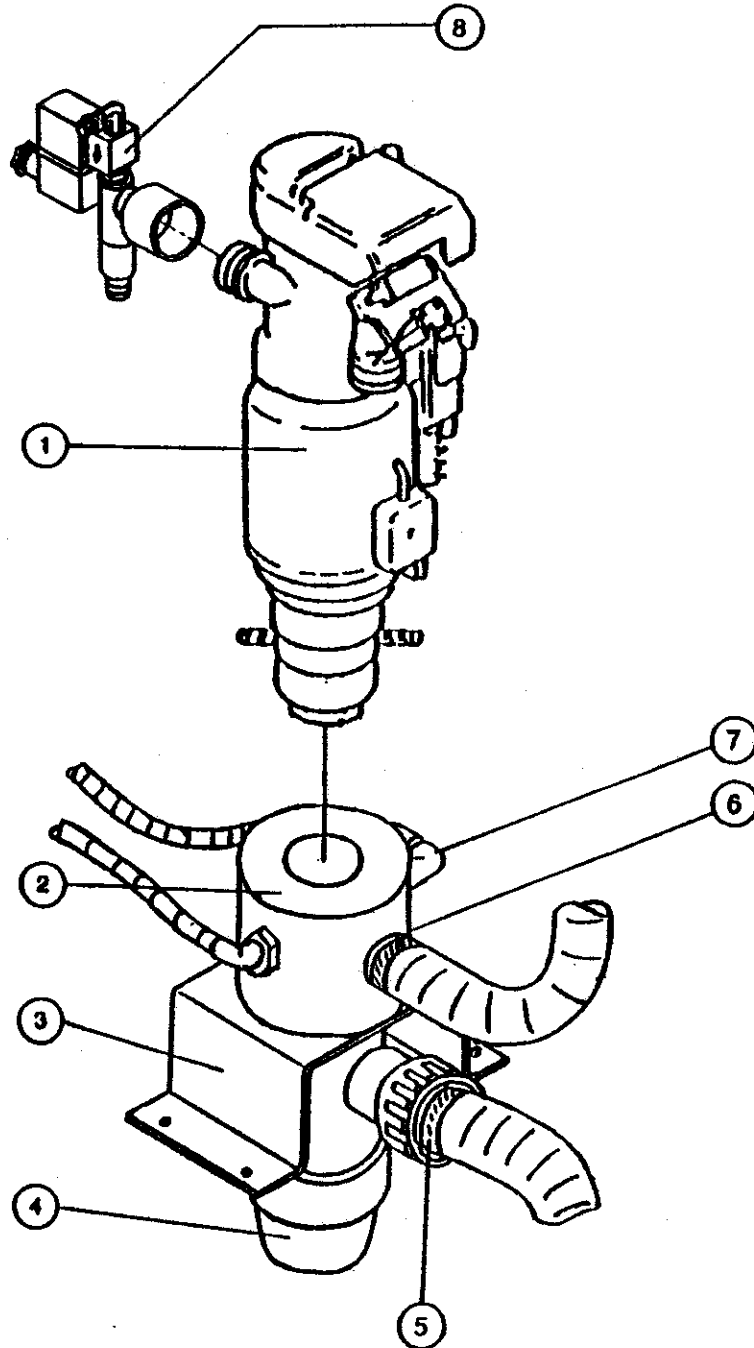
REF. NO.	DESCRIPTION	PART NO.	QTY.	CODE
1	Mini separator tank , Clear , Cattani	CA 0068	1	2
2	Separator housing	CU 1805	1	9
3	Drain collector holder	CU 0745	1	9
4	Drain collector	HO C-60	1	2
5	Hose clamp ABA	HZ 1524	2	4
6	Drain adaptor KIFV 20 x 16 x 1/2 "	AL 4239	1	9
7	Elbow transferor 12 mm. x 1/2 "	TE 5208	1	9
8	Air vacuum venturi	CU 1860	1	2

**ET 9320 VACUUM SYSTEM  
WITH DURR SEPARATOR TANK**



REF. NO.	DESCRIPTION	PART NO.	QTY.	CODE
1	Separator tank , DURR	DURR 1	1	2
2	Separator housing	CU 1805	1	9
3	Drain collector holder	CU 0745	1	9
4	Drain collector	HO C-60	1	2
5	Hose clamp ABA	HZ 1524	2	4
6	Drain adaptor KIFV 20 x 16 x 1/2 "	AL 4239	1	9
7	Elbow transferor 12 mm. x 1/2 "	TE 5208	2	9

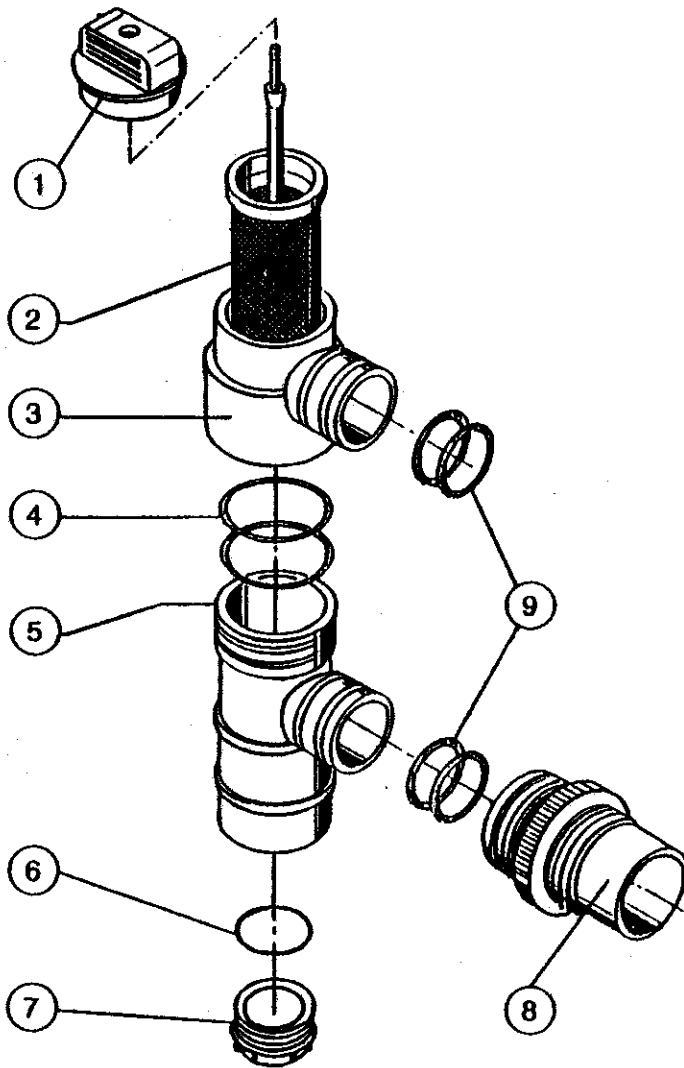
**ET 9321 AIR VACUUM SYSTEM  
WITH DURR SEPARATOR TANK AND AIR VACUUM VENTURI**



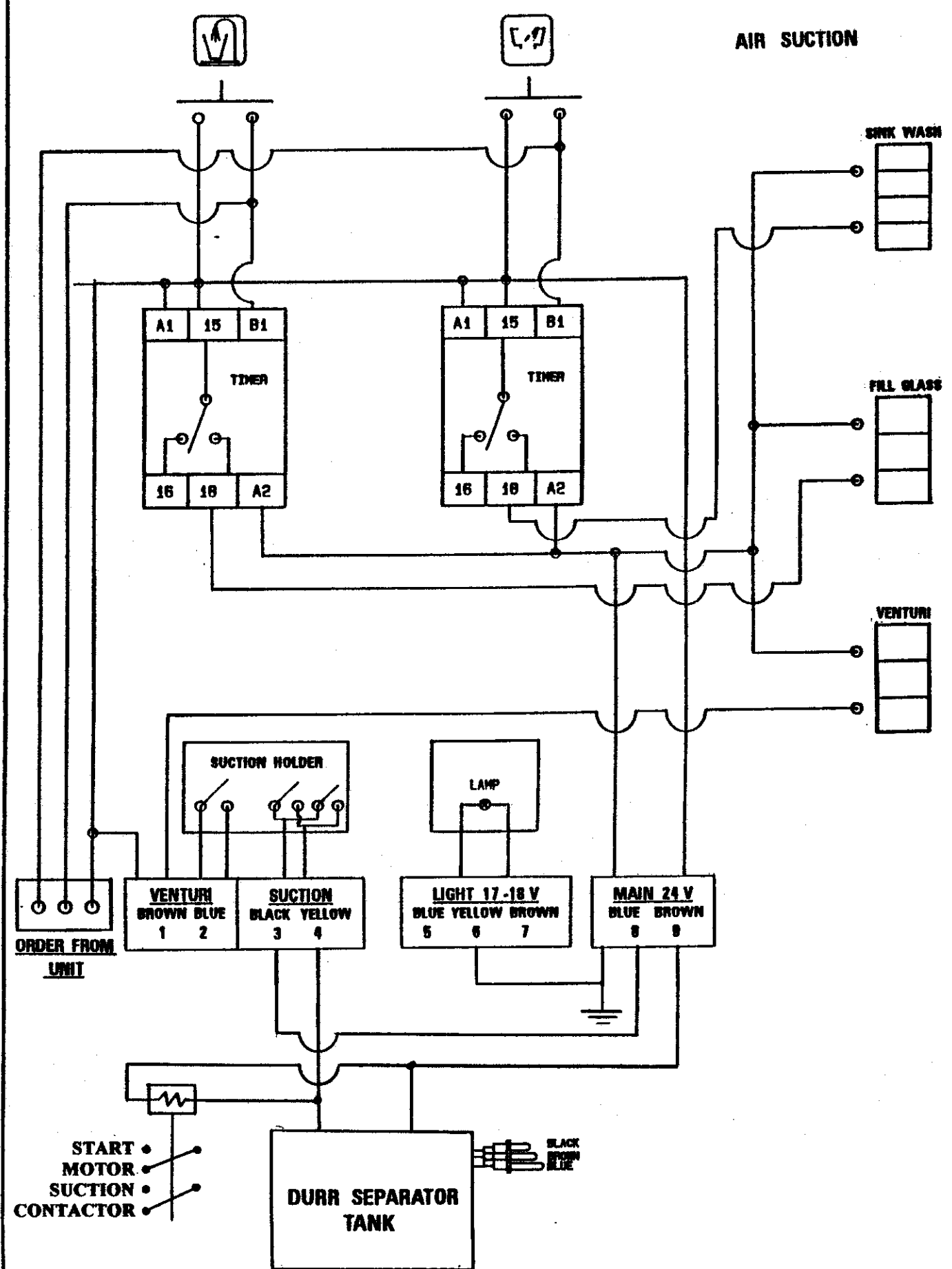
REF. NO.	DESCRIPTION	PART NO.	QTY.	CODE
1	Separator tank , DURR	DURR 1	1	2
2	Separator housing	CU 1805	1	9
3	Drain collector holder	CU 0745	1	9
4	Drain collector	HO C-60	1	2
5	Hose clamp ABA	HZ 1524	2	4
6	Drain adaptor KIFV 20 x 16 x 1/2 "	AL 4239	1	9
7	Elbow transferor 12 mm. x 1/2 "	TE 5208	2	9
8	Air vacuum venturi	CU 1860	1	2



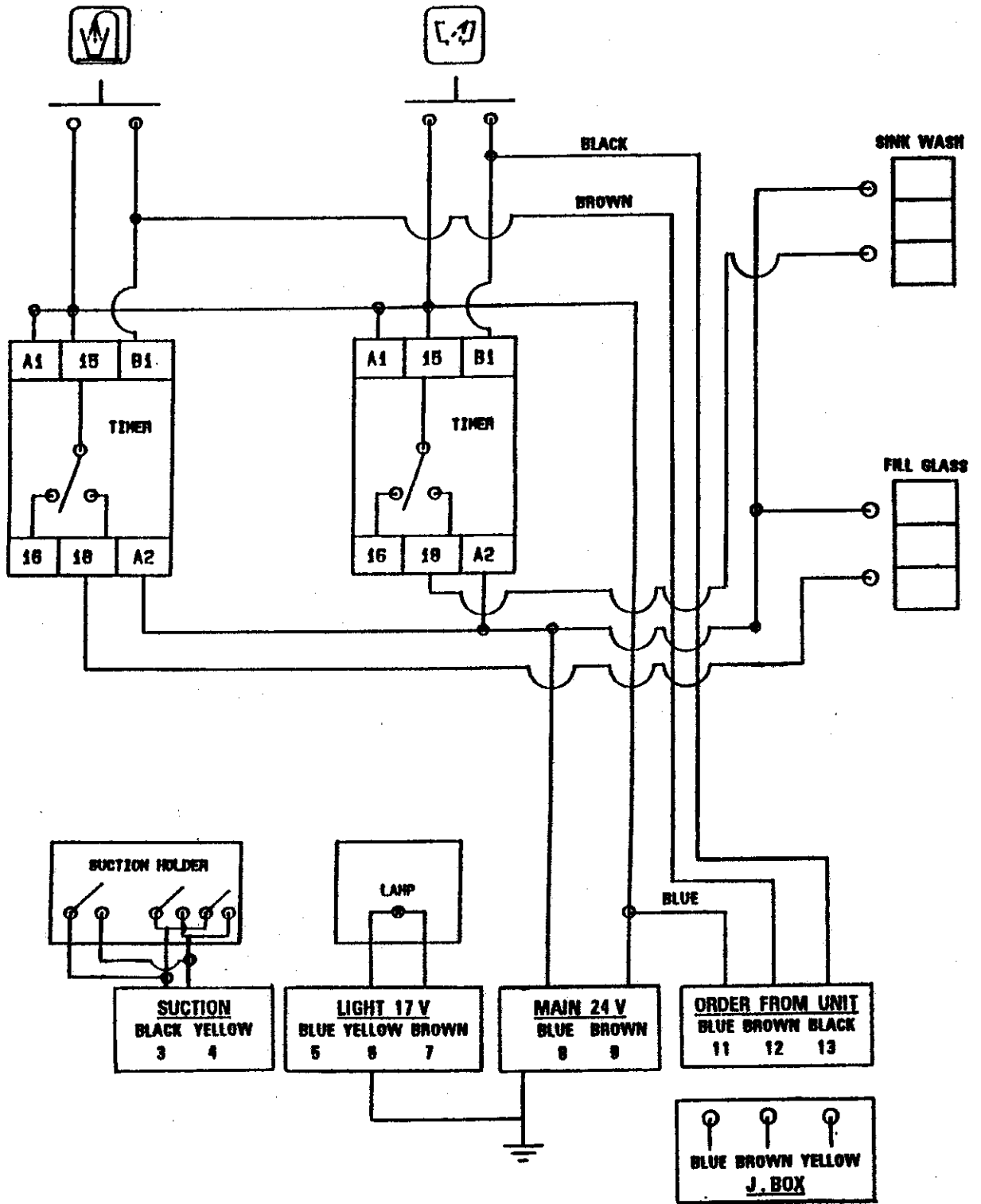
# IT 0780 CORNER FILTER



REF. NO.	DESCRIPTION	PART NO.	QTY.	CODE
1	Upper cover	IT 121	1	2
2	Filter	IT 122	1	2
3	Upper filter house	IT 124	1	2
4	O - ring	IT 125	2	2
5	Filter house	IT 126	1	2
6	O - ring	IT 181	1	2
7	Lower cover	IT 180	1	2
8	Tube	IT 128	1	2
9	O - ring	IT 127	4	2



<b>DRAW 8</b> <b>1998</b>	<b>CUSPIDOR + DURR SEPARATOR +</b> <b>2 TIMERS ELECTRIC SCHEMA</b>	<b>ETI</b>
------------------------------	-----------------------------------------------------------------------	------------



# ET 005S WET CENTRAL SUCTION SYSTEM SCHEMA

